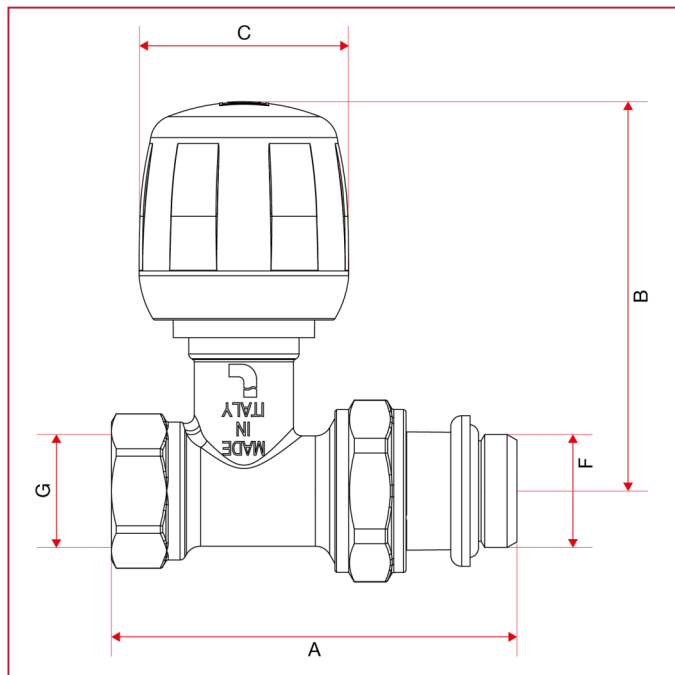




MANUAL VALVES AND LOCKSHIELDS

294S Straight manual valve

OVERALL DIMENSIONS



	1/2"	3/4"
DN	15	20
A	73,5	77,5
B	70,6	72,1
C	38	38
F	1/2"	3/4"
G	1/2"	3/4"
Kg/cm ² bar	10	10
LBS - psi	145	145