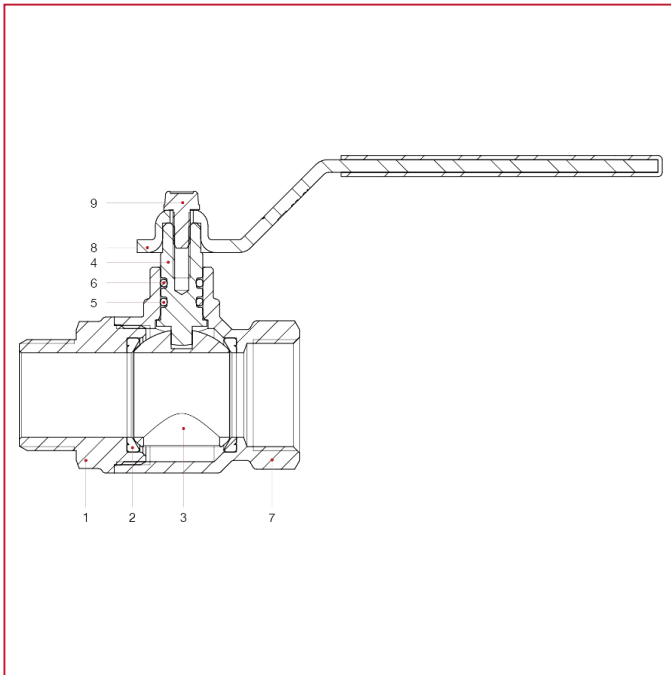




# ECOLOGICAL BALL VALVES: IDEAL DVGW

## 291P Ideal DVGW ball valve, full flow

### MATERIALS



POS.	DESCRIPTION	N.	MATERIAL
1	Male end adapter	1	Nickel-plated brass CW617N
2	Seat	2	P.T.F.E.
3	Ball	1	Chrome-plated brass CW617N
4	Stem	1	Brass CW614N
5	O-ring	1	NBR
6	O-ring	1	Viton®
7	Body	1	Nickel-plated brass CW617N
8	Flat lever handle	1	EN 10111 (DD13)
9	Screw	1	Zinc-plated steel C4C