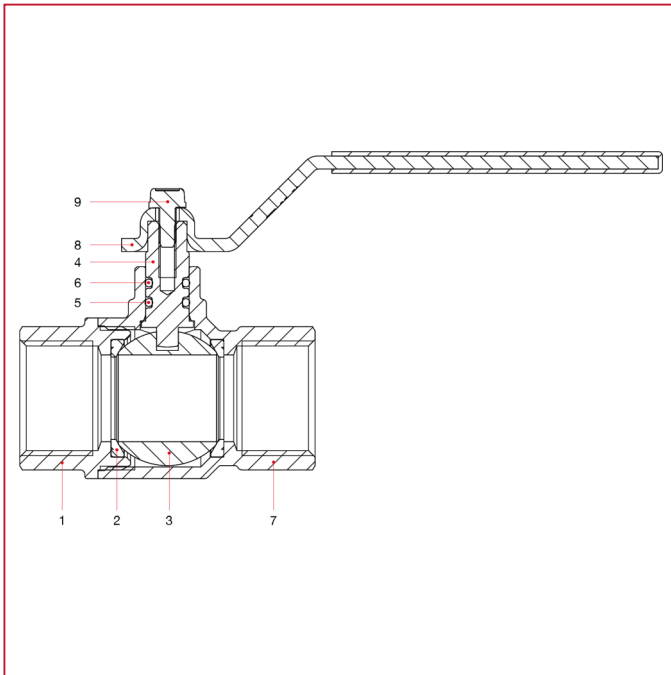




# FULL FLOW BALL VALVES: MADRID

**276XB** Madrid ball valve, full flow, with flat lever handle in stainless steel

## MATERIALS



POS.	DESCRIPTION	N.	MATERIAL
1	Female end adapter	1	Nickel-plated brass CW617N
2	Seat	2	P.T.F.E.
3	Ball	1	Chrome-plated brass CW617N
4	Stem	1	Brass CW614N
5	O-ring	1	NBR
6	O-ring	1	Viton®
7	Body	1	Nickel-plated brass CW617N
8	Flat lever handle	1	Stainless steel AISI 304
9	Screw	1	Stainless steel AISI 430