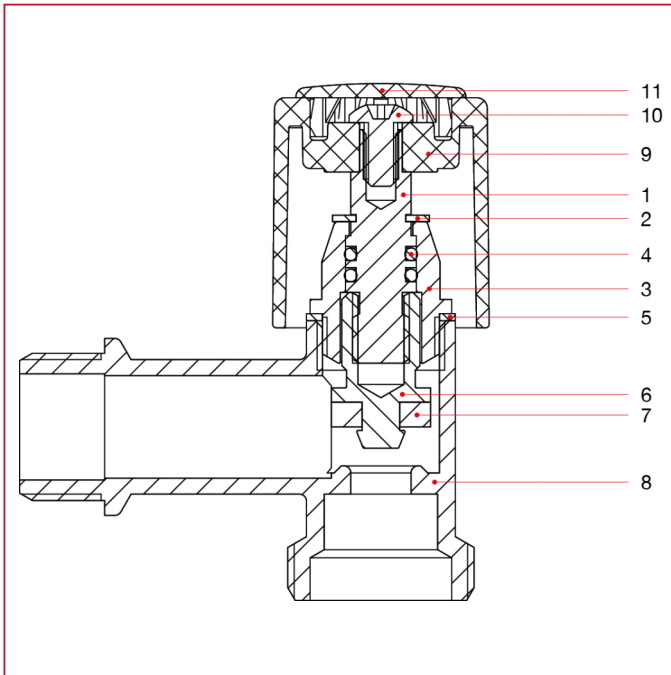




WASHING MACHINE VALVES

250 Washing machine valve

MATERIALS



POS.	DESCRIPTION	N.	MATERIAL
1	Pin	1	Brass CW614N
2	Ring	1	Stainless steel AISI 302
3	Cap	1	Brass CW614N
4	O-ring	2	NBR
5	Washer	1	Aluminium
6	Screw	1	Brass CW614N
7	Washer	1	NBR
8	Body	1	Chrome-plated brass CW617N
9	Handle	1	Chrome-plated ABS
10	Screw	1	Zinc-plated steel C4C
11	Clip	1	Varnished ABS