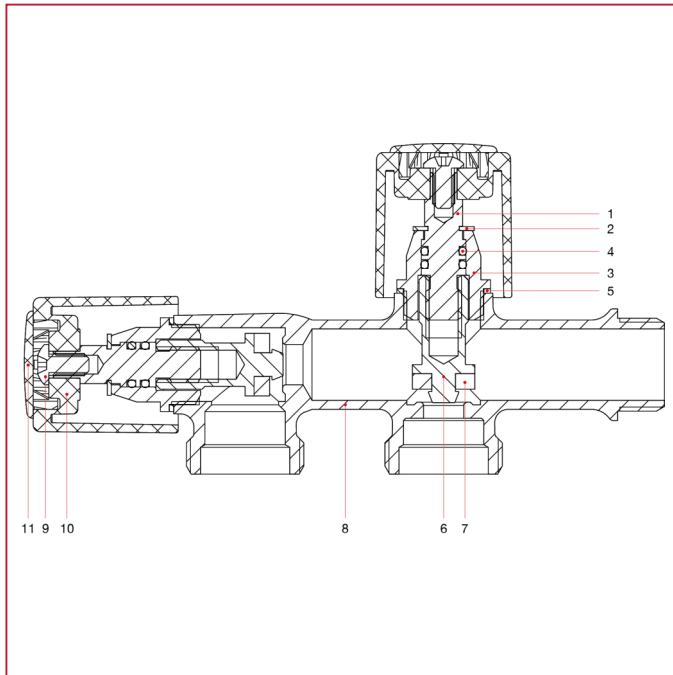




WASHING MACHINE VALVES

240 Washing machine and dishwasher valve

MATERIALS



POS.	DESCRIPTION	N.	MATERIAL
1	Pin	2	Brass CW614N
2	Ring	2	Stainless steel AISI 302
3	Cap	2	Brass CW614N
4	O-ring	4	NBR
5	Washer	2	Aluminium
6	Screw	2	Brass CW614N
7	Washer	2	NBR
8	Body	1	Chrome-plated brass CB753S
9	Screw	2	Zinc-plated steel C4C
10	Handle	2	Chrome-plated ABS
11	Clip	2	Varnished ABS