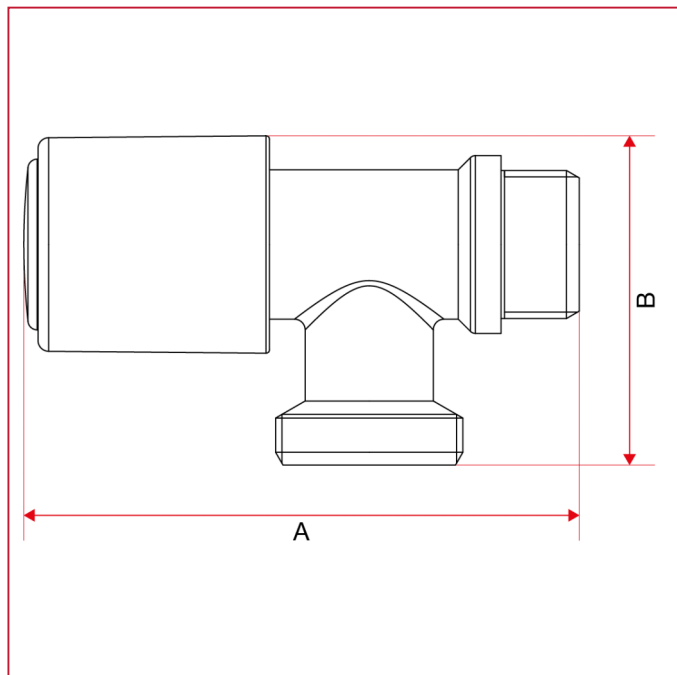




## WASHING MACHINE VALVES

### 226 Horizontal washing machine valve

#### OVERALL DIMENSIONS



	1/2"
DN	15
A	78
B	46,3
Kg/cm <sup>2</sup> bar	16
LBS - psi	232