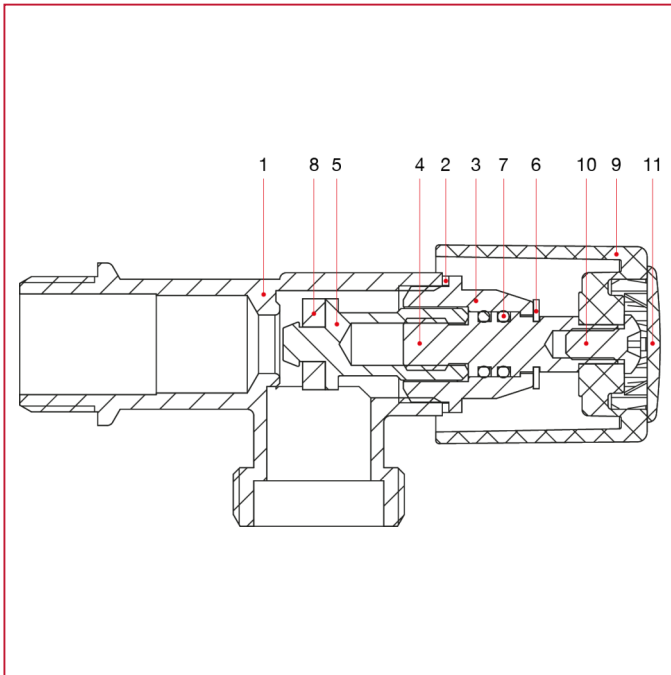




# WASHING MACHINE VALVES

## 225 Horizontal washing machine valve, heavy pattern

### MATERIALS



POS.	DESCRIPTION	N.	MATERIAL
1	Body	1	Chrome-plated brass CW617N
2	Washer	1	Aluminium
3	Cap	1	Brass CW614N
4	Pin	1	Brass CW614N
5	Screw	1	Brass CW614N
6	Ring	1	Stainless steel AISI 302
7	O-ring	2	NBR
8	Washer	1	NBR
9	Handle	1	Chrome-plated ABS
10	Screw	1	Zinc-plated steel C4C
11	Clip	1	Varnished ABS