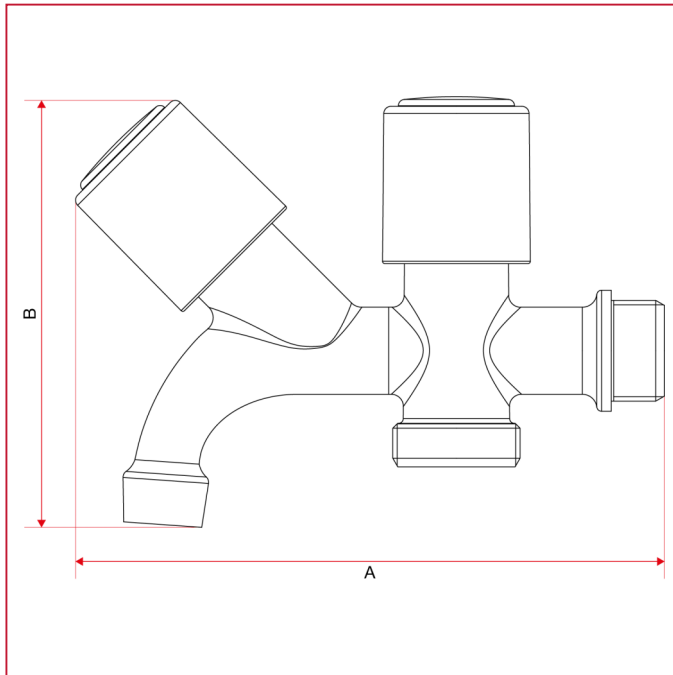




# WASHING MACHINE VALVES

## 220 Washing machine valve

### OVERALL DIMENSIONS



	1/2"
DN	15
A	121,7
B	88
Kg/cm <sup>2</sup> bar	8
LBS - psi	116