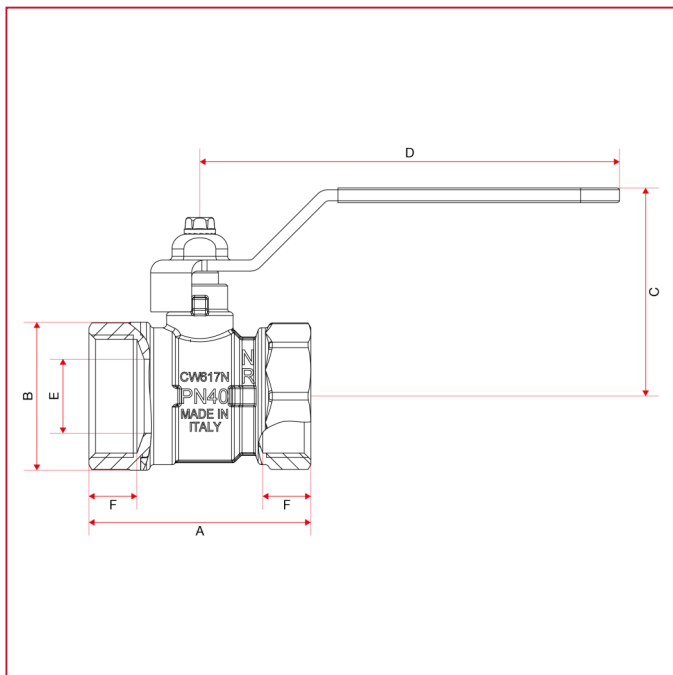




REDUCED FLOW BALL VALVES: ORIENT

211 Orient ball valve, reduced flow

OVERALL DIMENSIONS



	1/2"	3/4"	1"	1"1/4	1"1/2	2"
DN	15	20	25	32	40	50
A	48	53,5	60	72	80	97
B	27	34	40	50	59	72
C	44	50,8	56,8	60,8	76,6	82,3
D	86	93	114	114	138,5	138,5
E	12	15	20	25	32	40
F	11	12	13	14,5	15	18
Kg/cm ² bar	50	40	40	30	30	25
LBS - psi	725	580	580	435	435	362,5