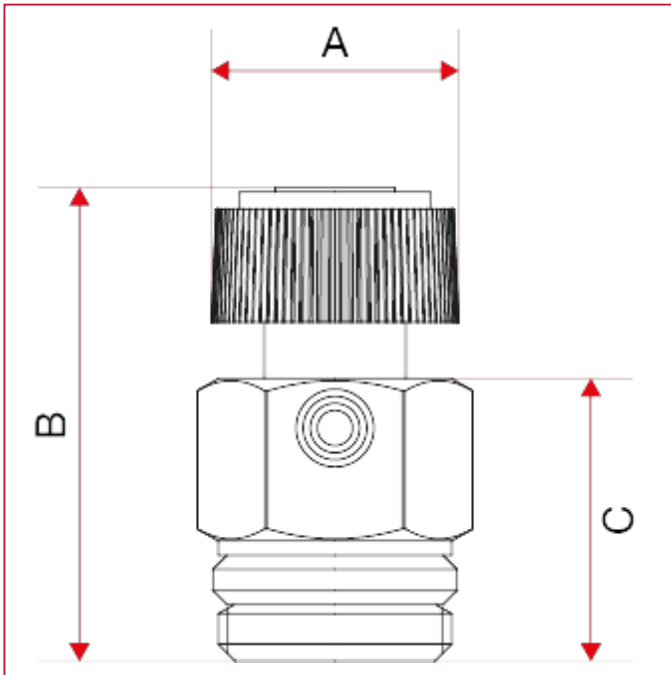




## AIR VENT VALVES AND SAFETY VALVES

### 194 Air vent valve

#### OVERALL DIMENSIONS



	1/8"	1/4"	3/8"	1/2"
A	18	18	18	18
B	24 - 26	30 - 32	30 - 32	25 - 27
C	14	20	20	15,5
Kg/cm <sup>2</sup> bar	10	10	10	10
LBS - psi	145	145	145	145