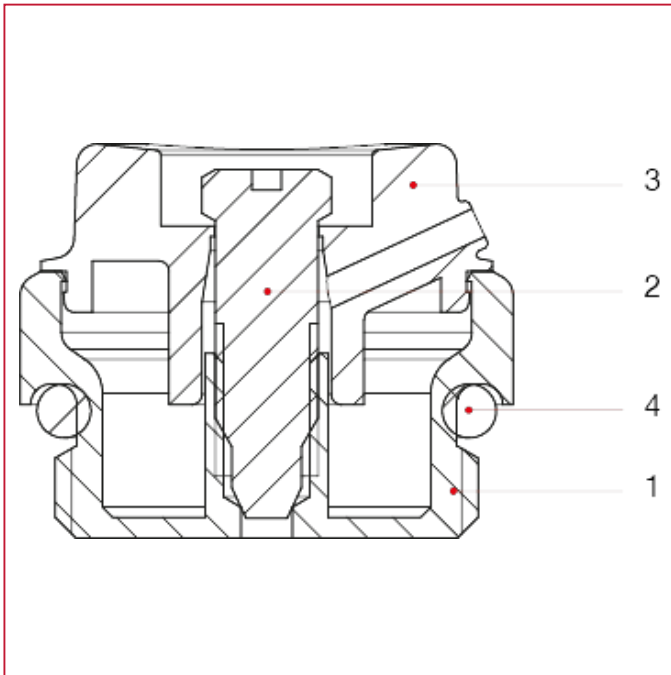




## AIR VENT VALVES AND SAFETY VALVES

### 1940 Adjustable nickel-plated air vent valve

#### MATERIALS



POS.	DESCRIPTION	N.	MATERIAL
1	Screw	1	Nickel-plated brass CW614N
2	Cap	1	Nylon PA6
3	Body	1	Nickel-plated brass CW614N
4	O-ring	1	EPDM