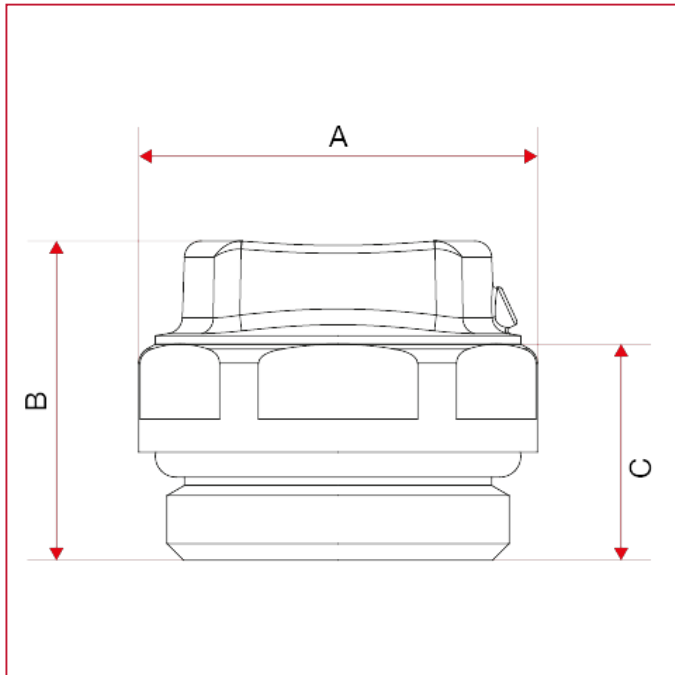




# AIR VENT VALVES AND SAFETY VALVES

## 1940 Adjustable nickel-plated air vent valve

### OVERALL DIMENSIONS



	1/2"
A	24
B	19,2
C	13
Kg/cm <sup>2</sup> bar	10
LBS - psi	145