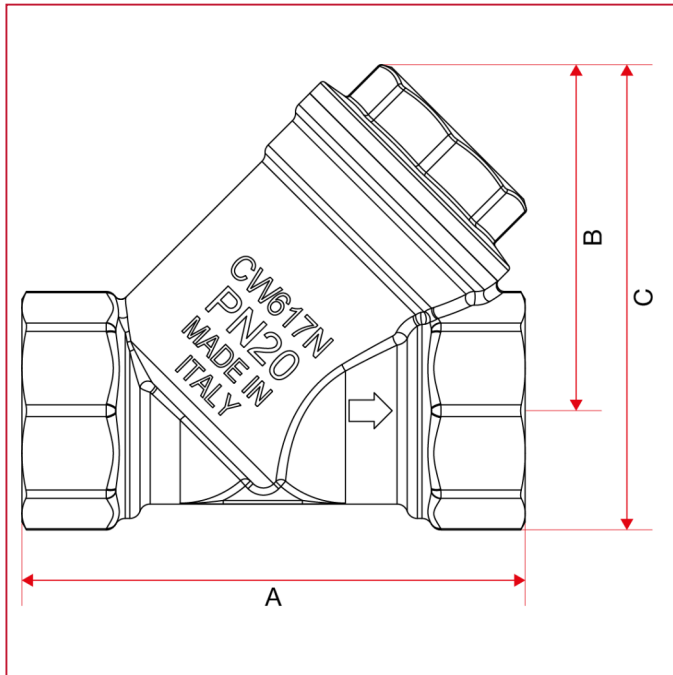




# SCHMUTZFÄNGER

## 193 Vernickelter Schmutzfänger

### GESAMTABMESSUNGEN



|            | 1/4" | 3/8" | 1/2" | 3/4" | 1"  | 1"1/4 | 1"1/2 | 2"   |
|------------|------|------|------|------|-----|-------|-------|------|
| DN         | 8    | 10   | 15   | 20   | 25  | 32    | 40    | 50   |
| A          | 55   | 55   | 58   | 70   | 87  | 96    | 106   | 126  |
| B          | 40   | 40   | 40   | 48   | 56  | 64    | 73    | 88,5 |
| C          | 49,4 | 51   | 53   | 65   | 76  | 88    | 100   | 122  |
| Kg/cm2 bar | 20   | 20   | 20   | 20   | 20  | 20    | 20    | 20   |
| LBS - psi  | 290  | 290  | 290  | 290  | 290 | 290   | 290   | 290  |