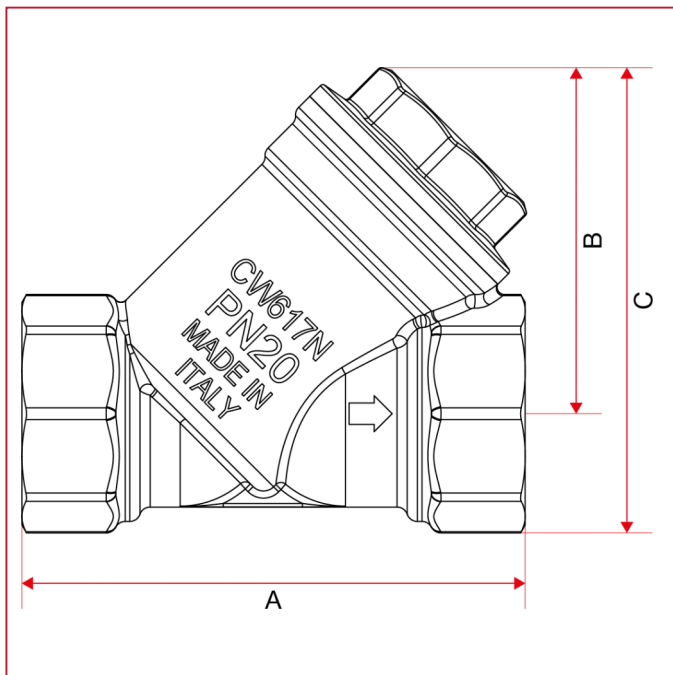




STRAINERS

193 Nickel-plated Y strainer

OVERALL DIMENSIONS



	1/4"	3/8"	1/2"	3/4"	1"	1"1/4	1"1/2	2"
DN	8	10	15	20	25	32	40	50
A	55	55	58	70	87	96	106	126
B	40	40	40	48	56	64	73	88,5
C	49,4	51	53	65	76	88	100	122
Kg/cm2 bar	20	20	20	20	20	20	20	20
LBS - psi	290	290	290	290	290	290	290	290