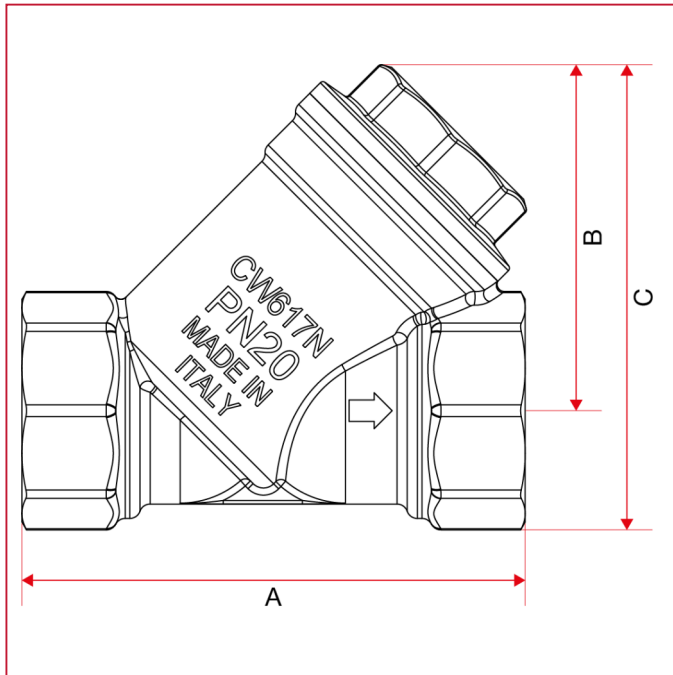




FILTRES À TAMIS

192 Filtre en Y

DIMENSIONS



| | 1/4" | 3/8" | 1/2" | 3/4" | 1" | 1"1/4 | 1"1/2 | 2" |
|------------|------|------|------|------|-----|-------|-------|------|
| DN | 8 | 10 | 15 | 20 | 25 | 32 | 40 | 50 |
| A | 55 | 55 | 58 | 70 | 87 | 96 | 106 | 126 |
| B | 40 | 40 | 40 | 48 | 56 | 64 | 73 | 88,5 |
| C | 49,4 | 51 | 53 | 65,4 | 76 | 88 | 100 | 122 |
| Kg/cm2 bar | 20 | 20 | 20 | 20 | 20 | 20 | 20 | 20 |
| LBS - psi | 290 | 290 | 290 | 290 | 290 | 290 | 290 | 290 |