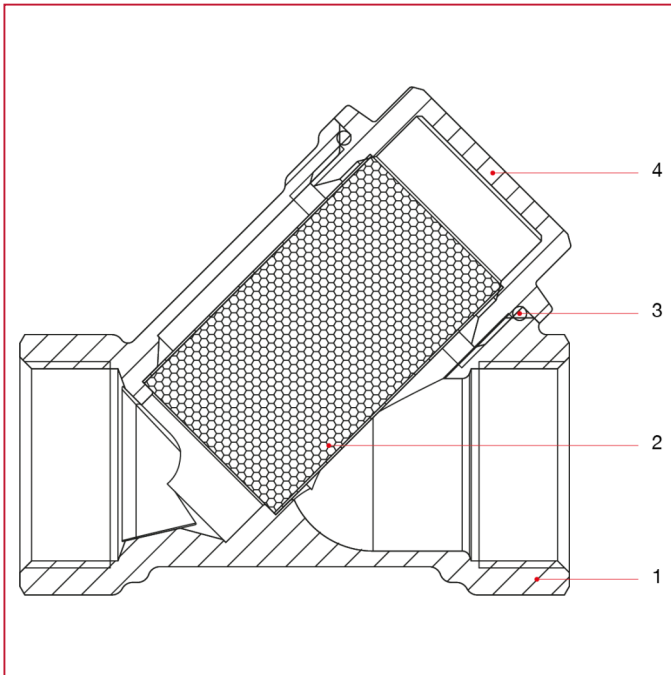




STRAINERS

192 Y strainer

MATERIALS sizes 1/4" through 2"

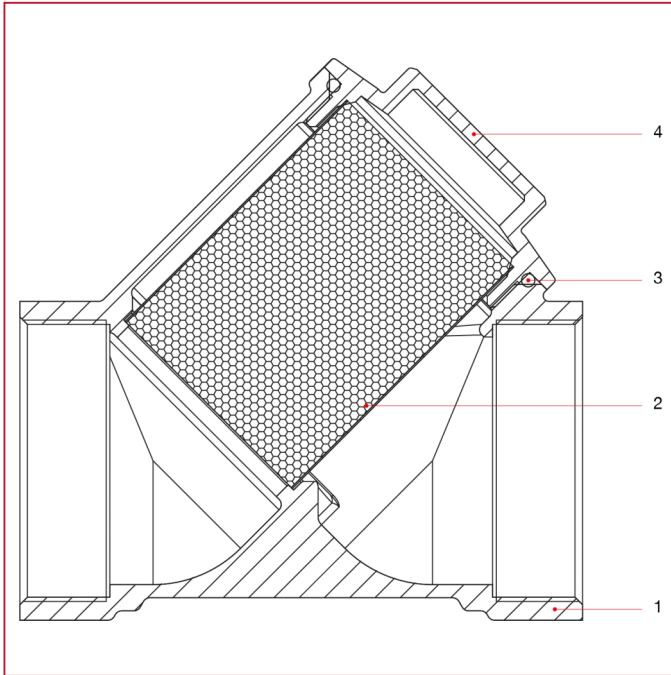


POS.	DESCRIPTION	N.	MATERIAL
1	Body	1	Brass CW617N
2	Strainer	1	Stainless steel AISI 304
3	O-ring	1	NBR
4	End adapter	1	Brass CW617N



STRAINERS

MATERIALS sizes 2"1/2 through 4"



POS.	DESCRIPTION	N.	MATERIAL
1	Body	1	Brass CB753S
2	Strainer	1	Stainless steel AISI 304
3	O-ring	1	NBR
4	End adapter	1	Brass CW617N