



MAGNETIC DIRT SEPARATORS

188 Magnetic compact dirt separator I-MAG

INSTRUCTIONS ON INSTALLATION, USE AND MAINTENANCE



IMPORTANT. MAGNETIC FIELD

Keep the magnet away from pacemakers, electromedical equipment, electronic equipment in general, magnetic cards, etc. since it could damage them or interfere with their operation.



IMPORTANT. HIGH TEMPERATURE FLUID

Burn hazard. Before proceeding with installation and maintenance, make sure that the water in the system is at room temperature.

TECHNICAL DATA

Magnet: neodymium (12000G)

Stainless steel cartridge filtration rating: 800 µm

Compatible fluids: water; water + glycol 50% max

Max pressure: 3 bar

Max flow rate: 1.5 m³/h

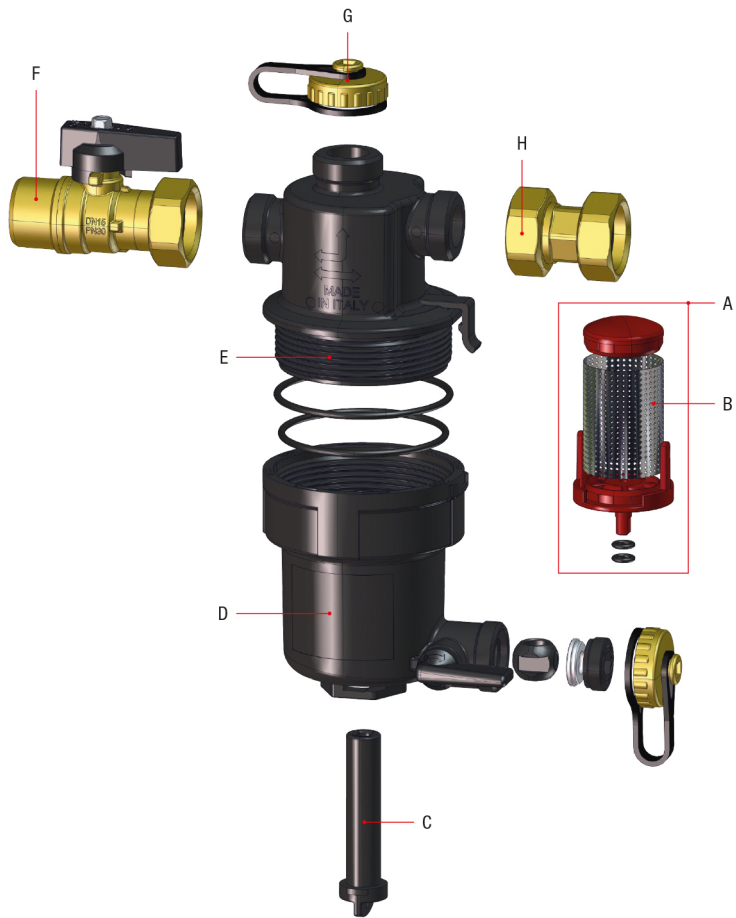
Temperature: 0 - 90°C

Connections: 3/4" M x 3/4" F

DESCRIPTION



MAGNETIC DIRT SEPARATORS

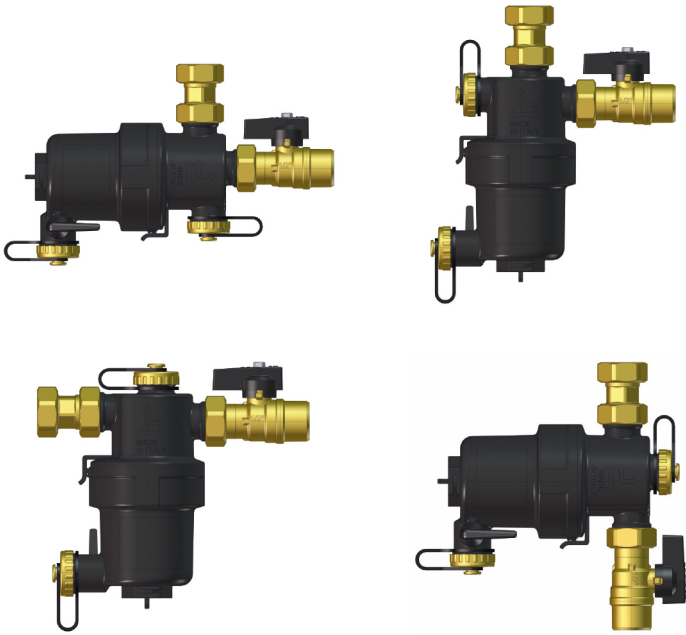


- A - Filter insert
- B - Steel mesh
- C - Magnet
- D - Cup
- E - Body with threaded fittings with double o-rings
- F - Shut-off valve (heating system side)
- G - Cap
- H - Swivel fitting (boiler side)

MOUNTING POSITIONS



MAGNETIC DIRT SEPARATORS



The I-MAG can be installed horizontally or vertically, due to its T fitting and special design. It is the only desludger allowing perfect filtration and cleaning in all positions and it is particularly easy to use.

INSTALLATION INSTRUCTIONS

- The dirtseparator should be installed on the generator's return line.
- Use a 29 mm wrench to loosen the cup when required for extraordinary maintenance.
- Perform routine cleaning one month after initial installation. Perform routine cleaning operations twice thereafter during the season when the heating system is in use. In order to do so, remove the magnet by turning it 90° towards the opening as shown by the arrow (clockwise), open the integrated drain valve for a few seconds so that any impurities in the large sludge chamber will drain out.

INSPECTION, CLEANING AND MAINTENANCE



IMPORTANT. Before you inspect, clean or service the device, shut the generator off, close the shut-off valves upline of the desludger and wait for all parts to cool down.

Clean the device as follows:

1. Close the shut-off valve upline of the desludger.
2. Extract the magnet by turning it 90° clockwise, allowing any debris to detach and deposit on the floor of the chamber.
3. Undo the cap covering the drain valve.
4. Connect a drain hose to the drain valve or place a container under it.
5. Open the drain valve by turning its lever.
6. Wait a few seconds, then slightly open the shut-off valve upline of the device to allow the washing water to flow through it and drive out the debris.
7. Once you have purged the device, close the upline shut-off valve and the drain valve, remove the hose or container, and restore the bottom cap.
8. Restore the magnetic insert to its seat by turning it 90° counter clockwise and re-open the shut-off valve.

The device should be cleaned at the following intervals:



MAGNETIC DIRT SEPARATORS

- 1 month after initial installation;
 - twice a year thereafter during the winter.
- However, the cleaning interval must be suited to the characteristics of the system.



Closing the shut-off valve.



Removing the magnet (turn it 90° clockwise)



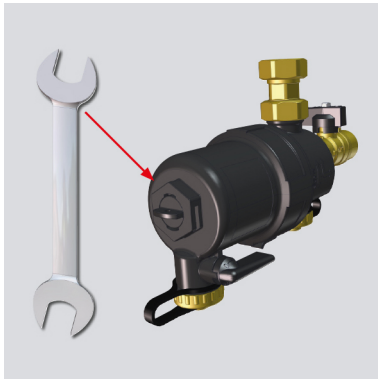
Opening the drain valve



MAGNETIC DIRT SEPARATORS



After a few seconds, open the upline shut-off valve slightly to wash out the interior of the unit.



To inspect the desludger completely or clean/replace the filter cartridge, you can remove the cup completely with a normal CH 29 wrench. Lubricate the o-rings with EPDM compatible grease.

N.B.: ALWAYS REMOVE THE MAGNET BEFORE YOU REMOVE OR RESTORE THE COMPONENTS