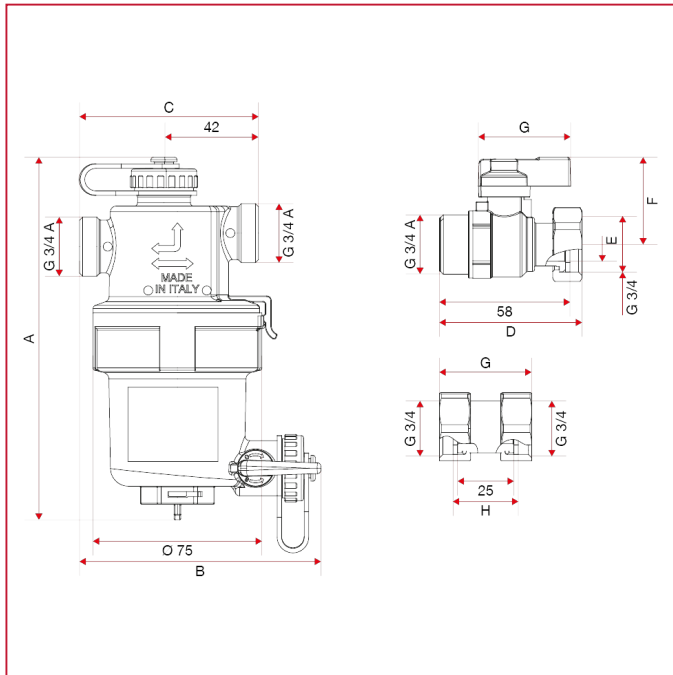




MAGNETIC DIRT SEPARATORS

188 Magnetic compact dirt separator I-MAG

OVERALL DIMENSIONS



	3/4"
A	161
B	107,2
C	79,5
D	63,3
E	15
F	38,75
G	41
CH	29
Kg/cm2 bar	3
LBS - psi	43,5