



# MAGNETIC DIRT SEPARATORS

## **188SR** Magnetic dirt separator I-MAG XL

### INSTRUCTIONS ON INSTALLATION, USE AND MAINTENANCE



#### IMPORTANT. MAGNETIC FIELD

Keep the magnet away from pacemakers, electromedical equipment, electronic equipment in general, magnetic cards, etc. since it could damage them or interfere with their operation.



#### IMPORTANT. HIGH TEMPERATURE FLUID

Burn hazard. Before proceeding with installation and maintenance, make sure that the water in the system is at room temperature.

#### TECHNICAL DATA

Magnet: neodymium (14000G)

Stainless steel cartridge filtration rating: 500 µm (pre-installed) - 800 µm (supplied in package)

Compatible fluids: water; water + glycol 50% max

Max pressure: 3 bar

KV: 6,3 m<sup>3</sup>/h

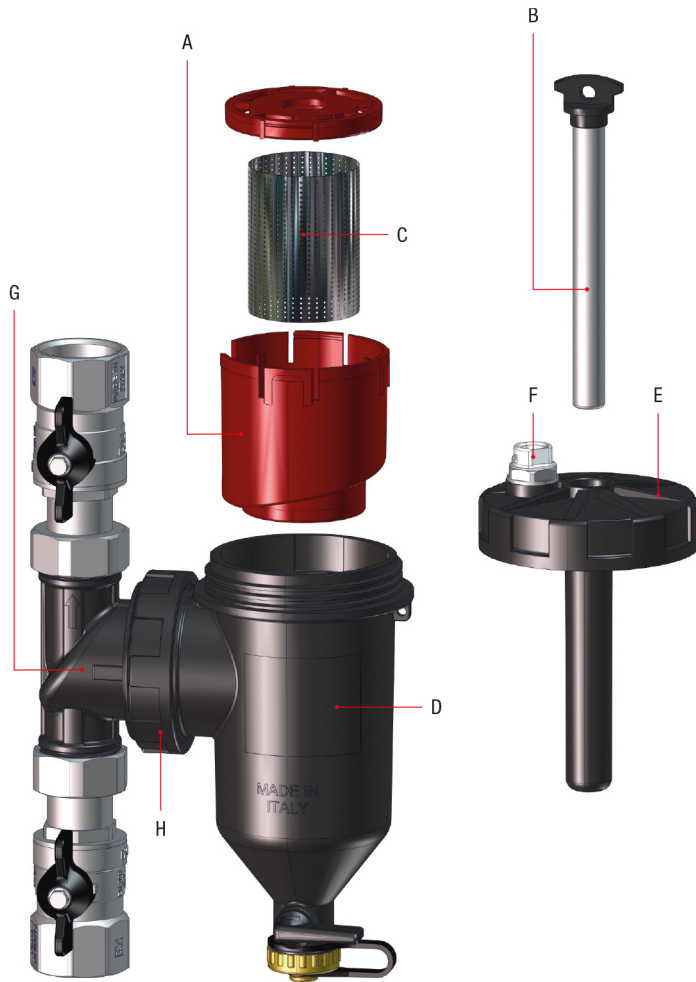
Temperature: 0 - 90°C

Body connections: ISO 228 1" M

#### DESCRIPTION



# MAGNETIC DIRT SEPARATORS

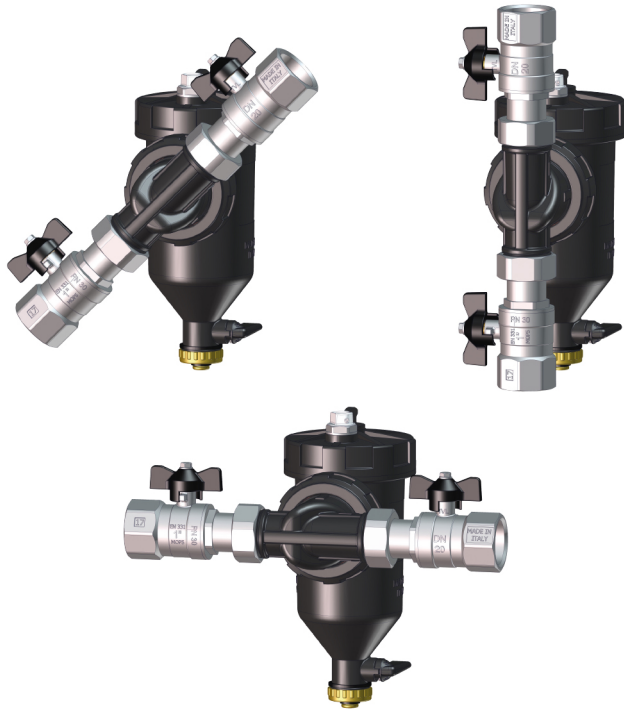


- A - Cyclonic insert
- B - Magnet
- C - Filter cartridge
- D - Body
- E - Top cap
- F - Manual air bleed valve
- G - T-junction
- H - Locking collar

## MOUNTING POSITIONS



# MAGNETIC DIRT SEPARATORS



The IMAG-XL can be installed horizontally, vertically or at an angle, due to its swivel fitting and locking collar connecting it to the line.

## INSTALLATION INSTRUCTIONS

- The dirtseparator should be installed on the generator's return line.
  - Always use the provided wrench to loosen or tighten down the locking collar and the cap.
- IF THE FLUID IS HEAVILY SOILED, WE RECOMMEND USING THE 500  $\mu\text{m}$  FINE MESH FILTER TO WASH THE SYSTEM. ONCE THIS HAS BEEN DONE, YOU CAN REPLACE IT WITH THE STANDARD 800  $\mu\text{m}$  CARTRIDGE.
- Any air which accumulates in the device can be bled out using the bleed valve on the top cap.

## INSPECTION, CLEANING AND MAINTENANCE



**IMPORTANT.** Before you inspect, clean or service the device, shut the generator off, close the shut-off valves upline of the desludger and wait for all parts to cool down.

Clean the device as follows:

1. Close the shut-off valves upline of the desludger.
2. Extract the magnet, allowing any debris to detach and deposit on the floor of the chamber.
3. Undo the cap covering the drain valve at the bottom of the device.
4. Connect a drain hose to the drain valve or place a container under it.
5. Open the drain valve by turning its lever.
6. Slightly open the shut-off valve upline of the device to allow the washing water to flow through it and drive out the debris.
7. Once you have purged the device, close the upline shut-off valve and the drain valve, remove the hose or container, and restore the bottom cap.
8. Restore the magnetic insert to its seat and re-open the upline shut-off valves.

The device should be cleaned at the following intervals:

- 1 month after initial installation;
- once a year thereafter

However, the cleaning interval must be suited to the characteristics of the system.



## MAGNETIC DIRT SEPARATORS



Closing the shut-off valve.



Removing the magnet.



Opening the drain valve.





## MAGNETIC DIRT SEPARATORS

Opening the upline shut-off valve and washing the internal components.



You can protect the magnet from accidental removal by fitting the provided seal into the slot in the end that can be accessed through the top cap. The seal is provided with a tab indicating the last date of cleaning.



To inspect the desludger completely or clean/replace the filter cartridge, you can remove the top cap completely with the provided wrench.