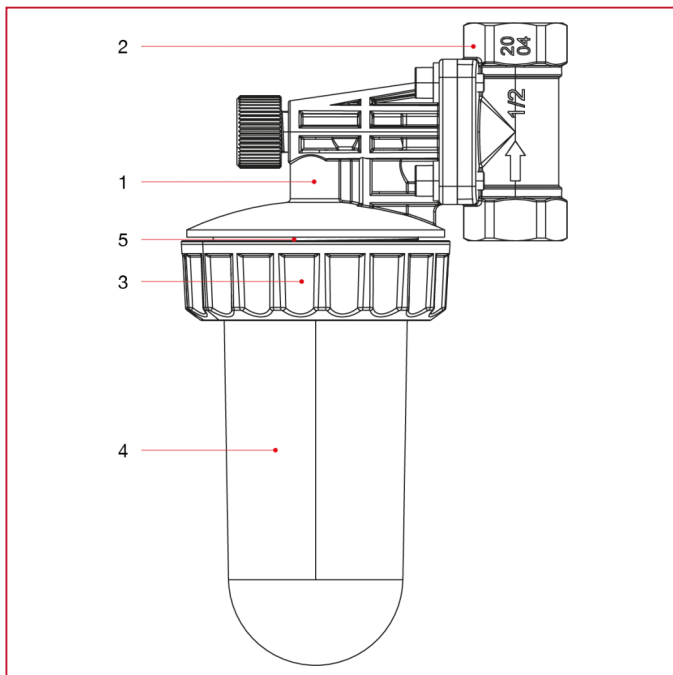




# POLYPHOSPHATE PROPORTIONAL DOSER

## 187 Polyphosphate proportional doser I-DOSER

### MATERIALS



POS.	DESCRIPTION	N.	MATERIAL
1	Body	1	PP
2	Threaded fitting	1	Brass CW617N
3	Collar	1	PP
4	Cup	1	SAN
5	O-ring	-	EPDM