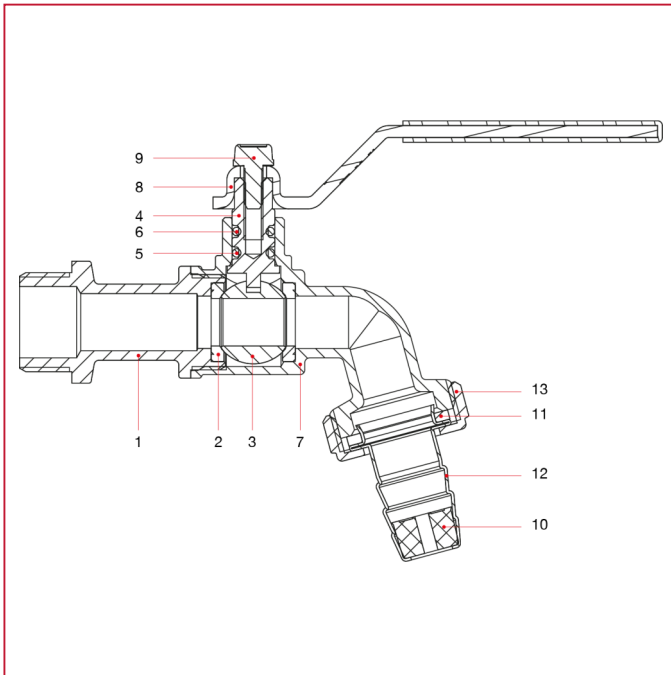




BIBCOCKS

167 GAR ball hose bibcock

MATERIALS



| POS. | DESCRIPTION | N. | MATERIAL |
|------|-------------------|----|--|
| 1 | End adapter | 1 | Nickel-plated brass CW617N |
| 2 | Seat | 2 | P.T.F.E. |
| 3 | Ball | 1 | Chrome-plated brass CW614N |
| 4 | Stem | 1 | Brass CW614N |
| 5 | O-ring | 1 | NBR |
| 6 | O-ring | 1 | Viton® |
| 7 | Body | 1 | Nickel-plated brass CW617N |
| 8 | Flat lever handle | 1 | Zinc-plated and plastic coated steel P04 |
| 9 | Screw | 1 | Zinc-plated steel C4C |
| 10 | Hose end | 1 | Polymer |
| 11 | Washer | 1 | Elastomer |
| 12 | Hose connection | 1 | Stainless steel AISI 304 |
| 13 | Nut | 1 | Nickel-plated brass CW617N |