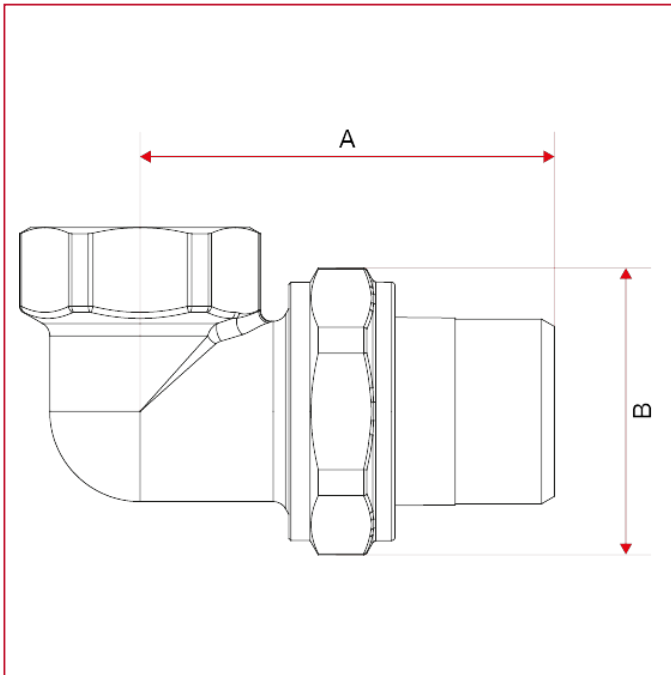




MECHANICAL FITTINGS AND ACCESSORIES

162 3-piece elbow, with o-ring

OVERALL DIMENSIONS



	1/2"	3/4"	1"	1"1/4
DN	15	20	25	32
A	51	58,5	69,5	80
B	33	40,5	49	55
Kg/cm ² bar	50	40	40	30
LBS - psi	725	580	580	435