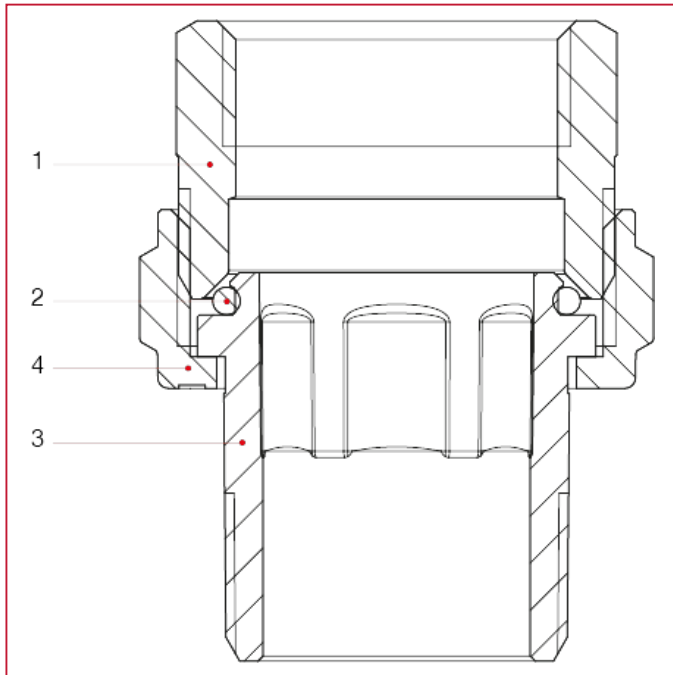




MECHANICAL FITTINGS AND ACCESSORIES

161 3-piece straight connector, with o-ring

MATERIALS



POS.	DESCRIPTION	N.	MATERIAL
1	Streight connector	1	Nickel-plated brass CW617N
2	O-ring	1	NBR
3	Union	1	Nickel-plated brass CW617N
4	Nut	1	Nickel-plated brass CW617N