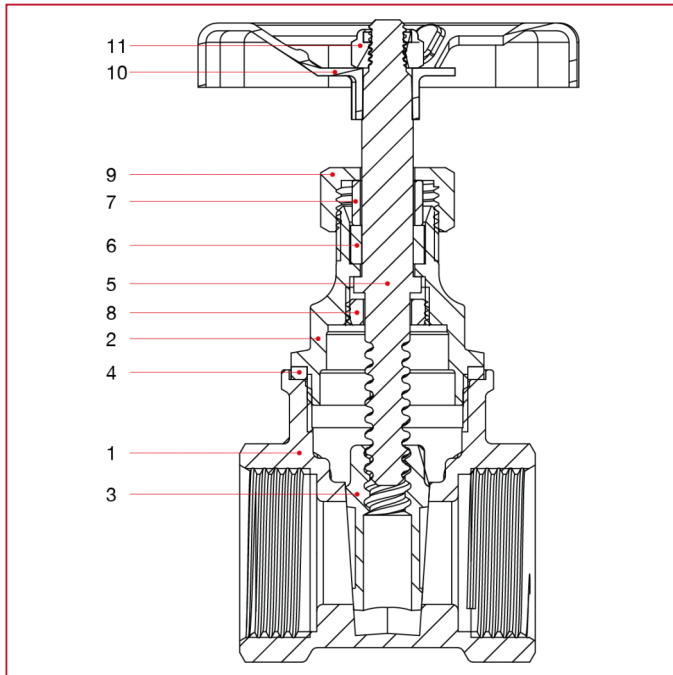




# GATE VALVES

## 156 Brass gate valve PN16

MATERIALS sizes 1/2" through 2"

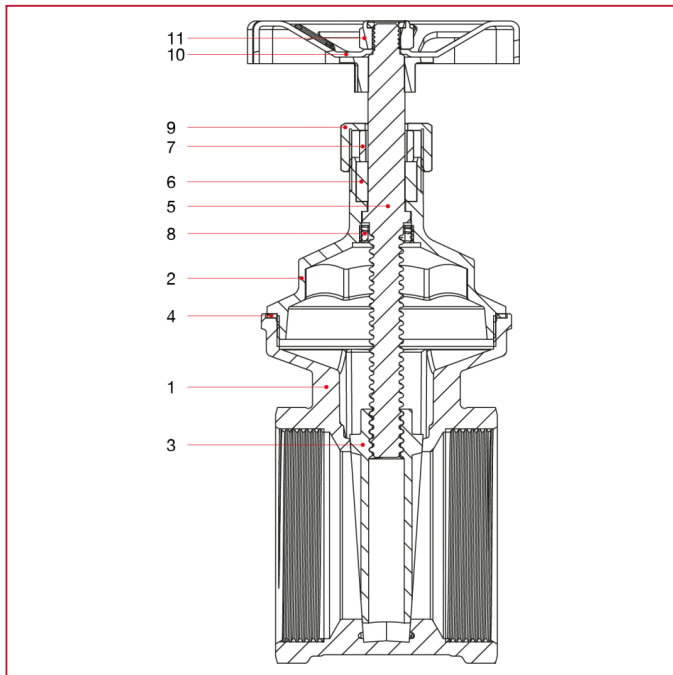


POS.	DESCRIPTION	N.	MATERIAL
1	Body	1	Brass CW617N
2	Bonnet	1	Brass CW617N
3	Disk	1	Brass CW617N
4	Washer	1	NA1002
5	Stem	1	Brass CW617N
6	Stem washer	1	FE1000
7	Packing-gland	1	Brass CW617N
8	Stem stopper	1	Brass CW617N
9	Cap	1	Brass CW617N
10	Handwheel	1	Varnished aluminium EN AB-46100
11	Self-locking nut	1	Zinc-plated steel CL8



# GATE VALVES

## MATERIALS sizes 2"1/2 through 4"



POS.	DESCRIPTION	N.	MATERIAL
1	Body	1	Brass CC754S
2	Bonnet	1	Brass CW617N
3	Disk	1	Brass CW617N
4	Washer	1	NA1002
5	Stem	1	Brass CW617N
6	Stem washer	1	FE1000
7	Packing-gland	1	Brass CW617N
8	Stem stopper	1	Brass CW617N
9	Cap	1	Brass CW617N
10	Handwheel	1	Varnished aluminium EN AB-46100
11	Self-locking nut	1	Zinc-plated steel CL8