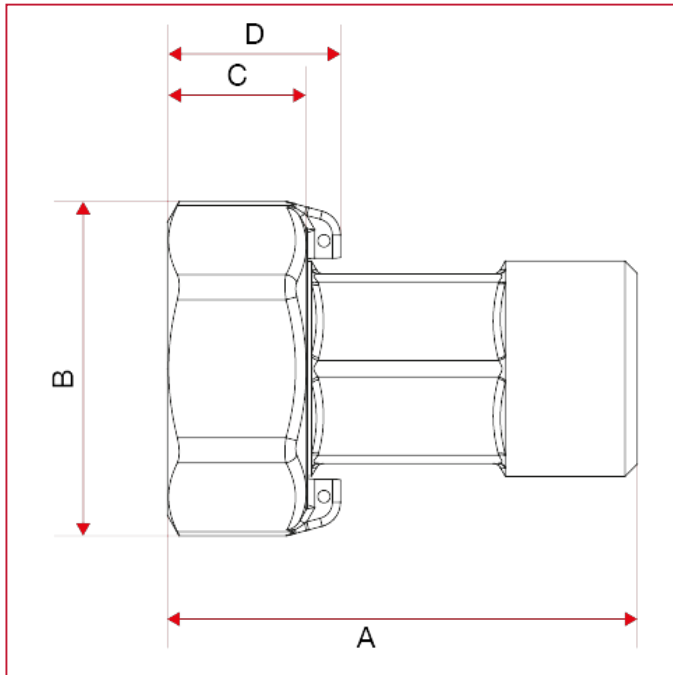




MECHANICAL FITTINGS AND ACCESSORIES

154 Connector for water meters

OVERALL DIMENSIONS



	3/4"x1/2"	1"x3/4"	1"1/4x1"	1"1/2x1" 1/4	2"x1"1/2	2"1/2x2"
DN	15	20	25	32	40	50
A	45,5	57	60,5	71	80,5	94
B	32	40,5	51,6	59,5	70	89
C	14,5	17	21,5	23	24,5	28
D	19	21	27	28	29	33,5
Kg/cm ² bar	20	20	20	20	20	20
LBS - psi	290	290	290	290	290	290