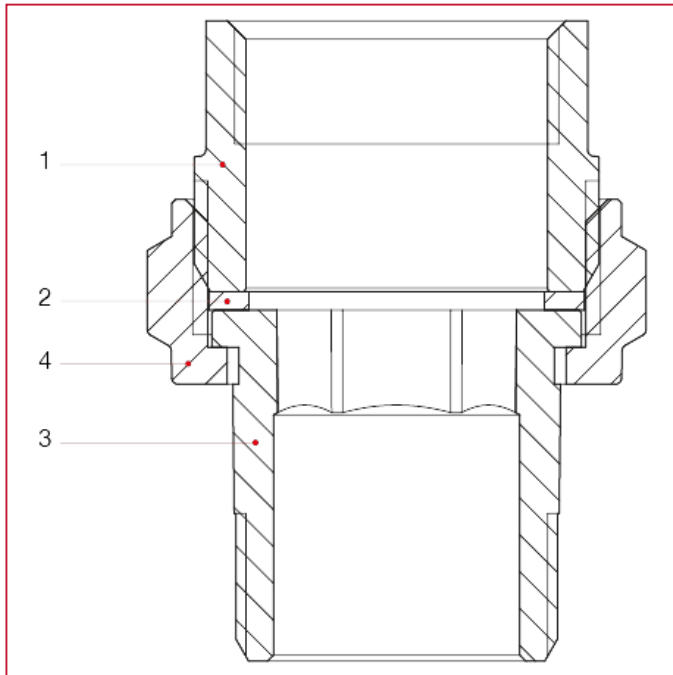




MECHANICAL FITTINGS AND ACCESSORIES

151 3-piece straight connector, flat washer

MATERIALS



POS.	DESCRIPTION	N.	MATERIAL
1	Streight connector with flat seat	1	Brass CW617N
2	Flat seat washer	1	Fiber
3	Flat seat union	1	Brass CW617N
4	Nut	1	Brass CW617N