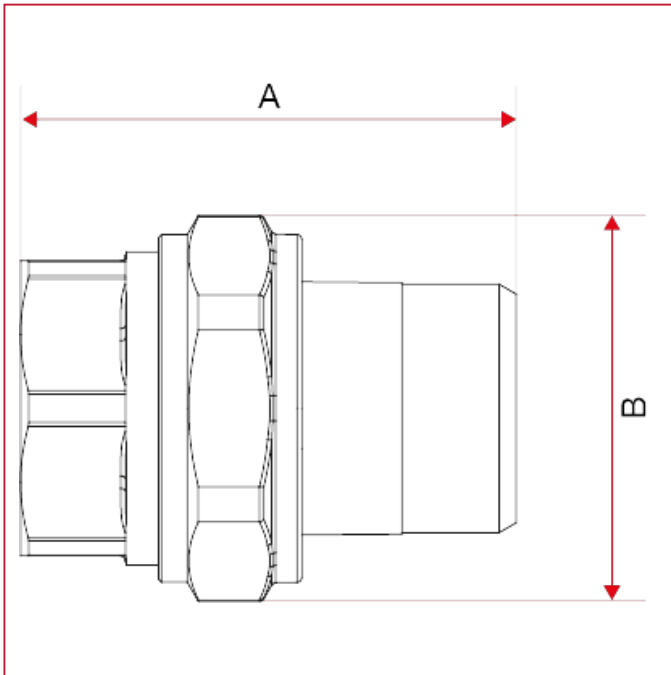




MECHANICAL FITTINGS AND ACCESSORIES

151 3-piece straight connector, flat washer

OVERALL DIMENSIONS



	1/2"	3/4"	1"	1"1/4	1"1/2	2"
DN	15	20	25	32	40	50
A	47	52	61	69,5	74	78
B	33	40,5	49	55	69	87
Kg/cm ² bar	50	40	40	30	30	25
LBS - psi	725	580	580	435	435	362,5