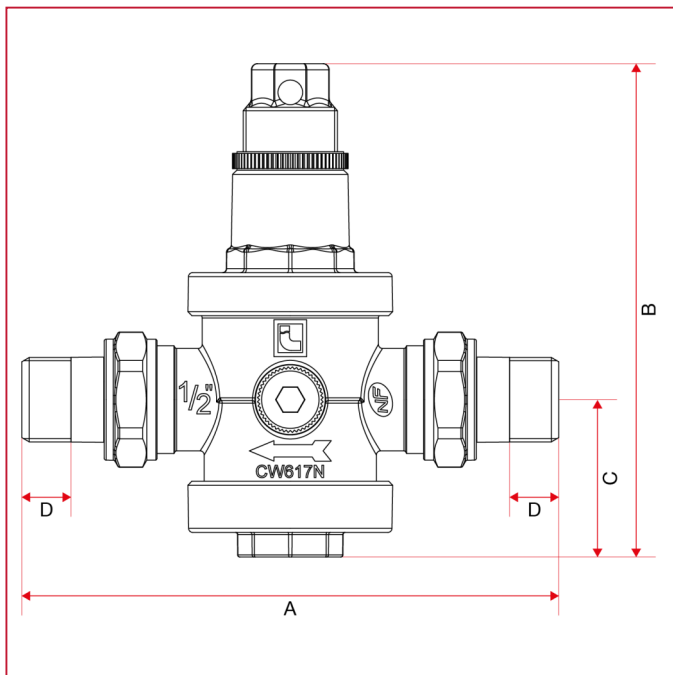




PRESSURE REDUCING VALVES

143MM EUROPRESS pressure reducing valve with union connection

OVERALL DIMENSIONS



	1/2"	3/4"	1"	1"1/4	1"1/2	2"
DN	15	20	25	32	40	50
A	129	135	156	177	188	213
B	124	124	159	220	220	248
C	38,5	38,5	56	68	68	86,5
D	12	12	14	16	16	17
Kg/cm ² bar	25	25	25	25	25	25
LBS - psi	362,5	362,5	362,5	362,5	362,5	362,5