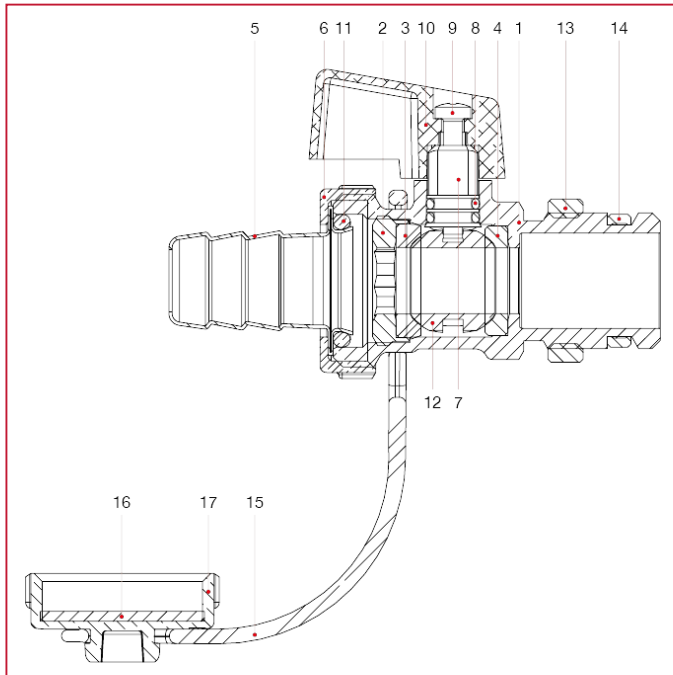




ACCESSORIES FOR SOLAR HEATING SYSTEMS

139S Drain ball valve with brass hose connection for solar heating systems

MATERIALS



POS.	DESCRIPTION	N.	MATERIAL
1	Body	1	Brass CW617N
2	Washer	1	Brass CW614N
3	Seat for solar	1	P.T.F.E.
4	Seat	1	P.T.F.E.
5	Hose connection	1	Brass CW508L
6	Nut	1	Brass CW617N
7	Stem	1	Brass CW614N
8	Washer	2	VITON®
9	Screw	1	Steel C4C
10	Handle	1	Stainless steel AISI 12Cu2Fe UNI 5076/74
11	O-Ring	1	VITON®
12	Ball	1	Chrome-plated brass CW614N
13	Ring	1	Brass CW614N
14	Ring	1	P.T.F.E.
15	Strap	1	PIBIFLEX®
16	Washer	1	EPDM
17	Cap	1	Brass CW617N