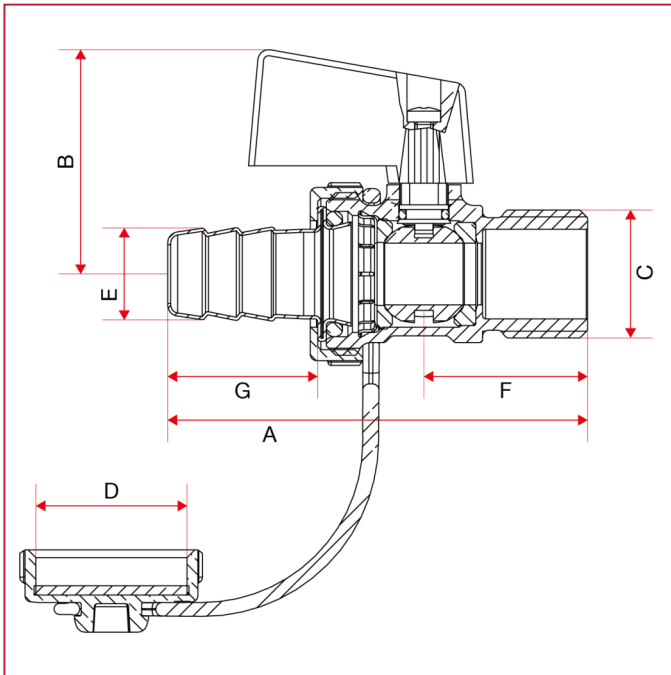




BIBCOCKS

139R Drain ball valve with brass hose connection and nylon handle

OVERALL DIMENSIONS



	3/8"	1/2"	3/4"
DN	10	15	20
A	62,2	68	67
B	36,3	36,3	-
C	3/8"	1/2"	3/4"
D	3/4"	3/4"	3/4"
E	15	15	15
F	20,7	26,5	23,7
G	24,3	24,3	24,3
Kg/cm ² bar	10	10	10
LBS - psi	145	145	145