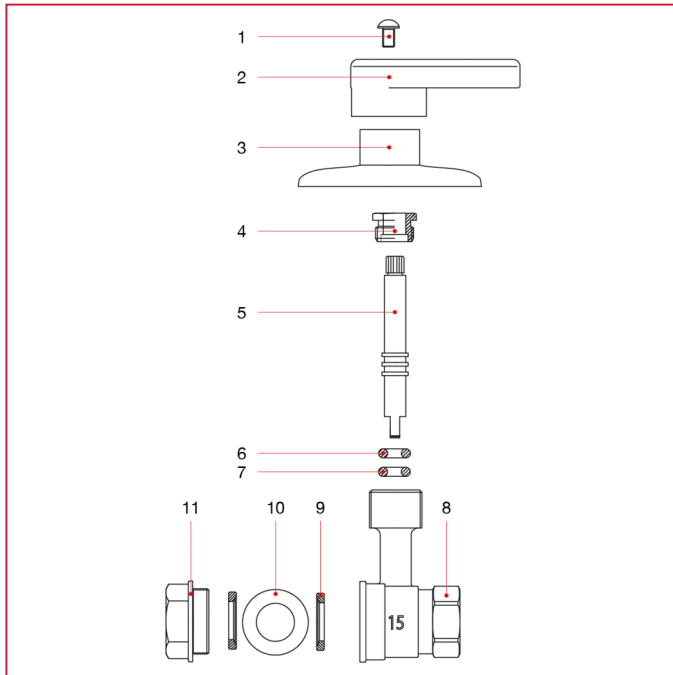




BUILD-IN VALVES AND SUPPLY STOPS

138 Build-in valve with handle

MATERIALS



POS.	DESCRIPTION	N.	MATERIAL
1	Screw	1	Zinc-plated steel Fe CB4
2	Handle	1	Chrome-plated brass CW617N
3	Cover-plate	1	Stainless steel AISI 430BA
4	Packing gland	1	Brass CW614N
5	Stem	1	Brass CW614N
6	O-ring	1	NBR
7	O-ring	1	NBR
8	Body	1	Brass CW617N
9	Seat	2	P.T.F.E.
10	Ball	1	Chrome-plated brass CW617N
11	End adapter	1	Brass CW617N