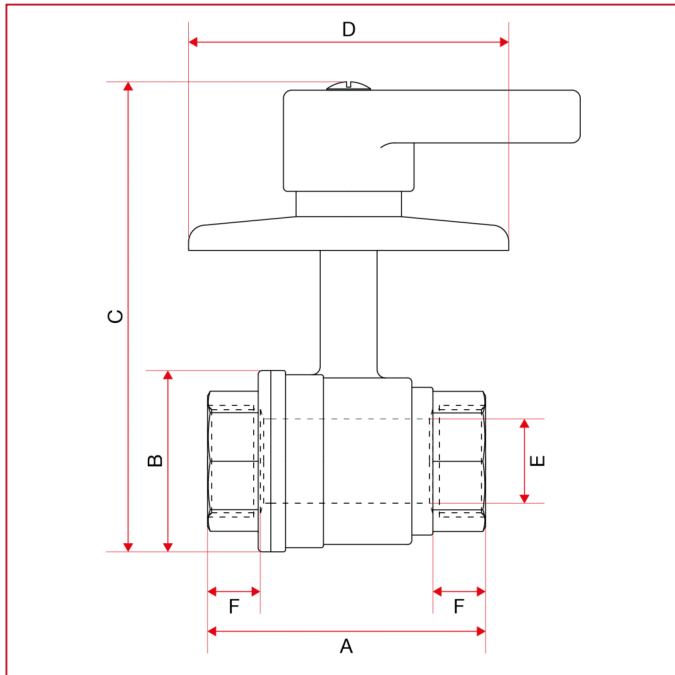




BUILD-IN VALVES AND SUPPLY STOPS

138 Build-in valve with handle

OVERALL DIMENSIONS



	1/2"	3/4"	1"
DN	15	20	25
A	58	70	82
B	34	43	52
C	100	111	116
D	100	100	100
E	15	20	25
F	14	15	18
Kg/cm ² bar	30	25	25
LBS - psi	435	362,5	362,5