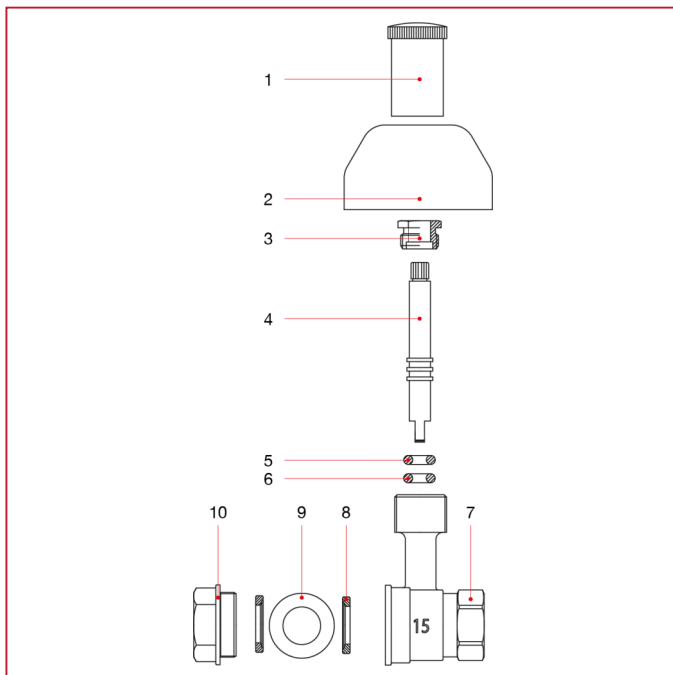




BUILD-IN VALVES AND SUPPLY STOPS

136 Build-in valve with blind cap

MATERIALS



POS.	DESCRIPTION	N.	MATERIAL
1	Cap	1	Chrome-plated brass
2	Cover-plate	1	Chrome-plated brass
3	Packing gland	1	Brass CW614N
4	Stem	1	Brass CW614N
5	O-ring	1	NBR
6	O-ring	1	NBR
7	Body	1	Brass CW617N
8	Seat	2	P.T.F.E.
9	Ball	1	Chrome-plated brass CW617N
10	End adapter	1	Brass CW617N