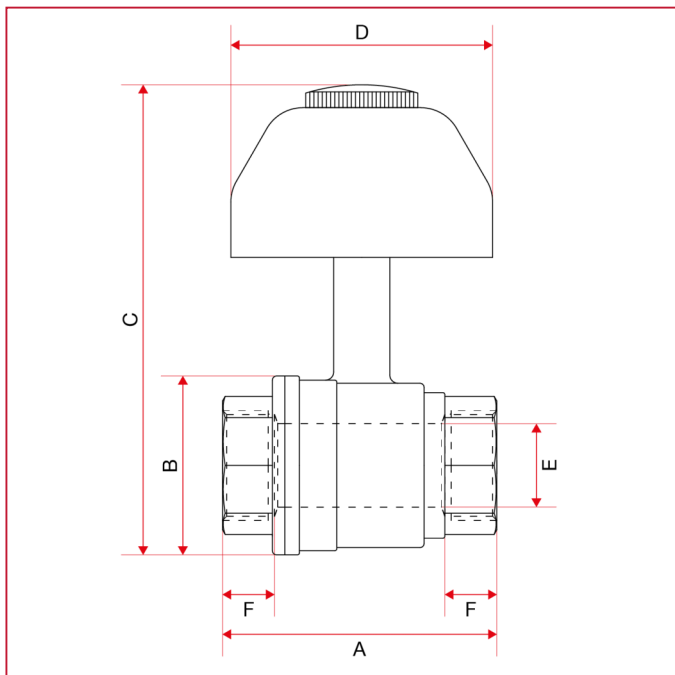




## BUILD-IN VALVES AND SUPPLY STOPS

### 136 Build-in valve with blind cap

#### OVERALL DIMENSIONS



	1/2"	3/4"
DN	15	20
A	56	67
B	34	43
C	109	118
D	63	63
E	15	20
F	12	14
Kg/cm <sup>2</sup> bar	30	25
LBS - psi	435	362,5