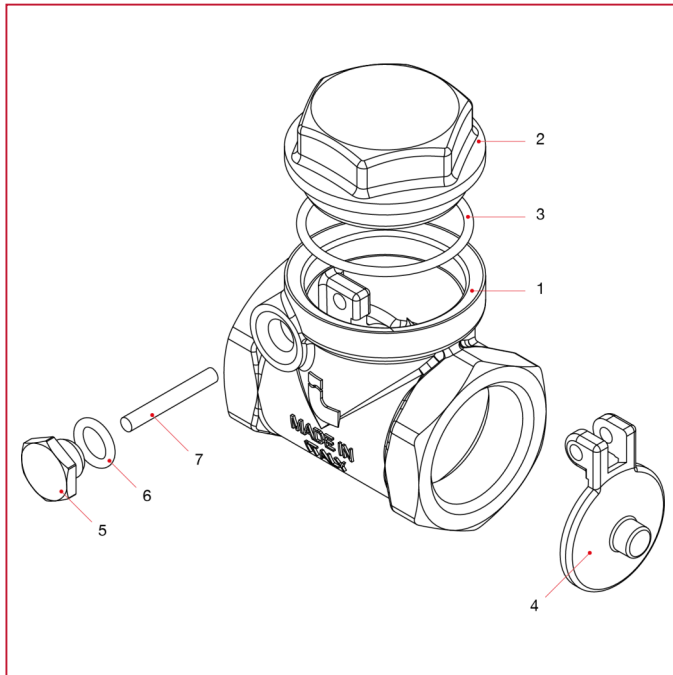




# SWING CHECK VALVE

## 130 Swing check valve

**MATERIALS** art.130M sizes 3/8" through 2"

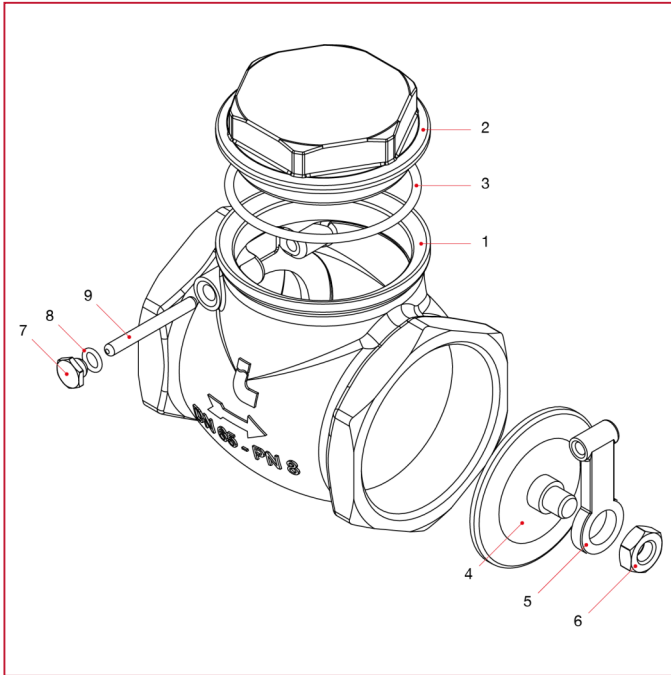


POS.	DESCRIPTION	N.	MATERIAL
1	Body	1	Brass CW617N
2	End adapter	1	Brass CW617N
3	O-ring	1	NBR
4	Plate	1	Brass CW617N
5	Cap	1	Brass CW614N
6	O-ring	1	NBR
7	Pin	1	Brass CW614N



# SWING CHECK VALVE

**MATERIALS art.130M sizes 2"1/2 through 4"**

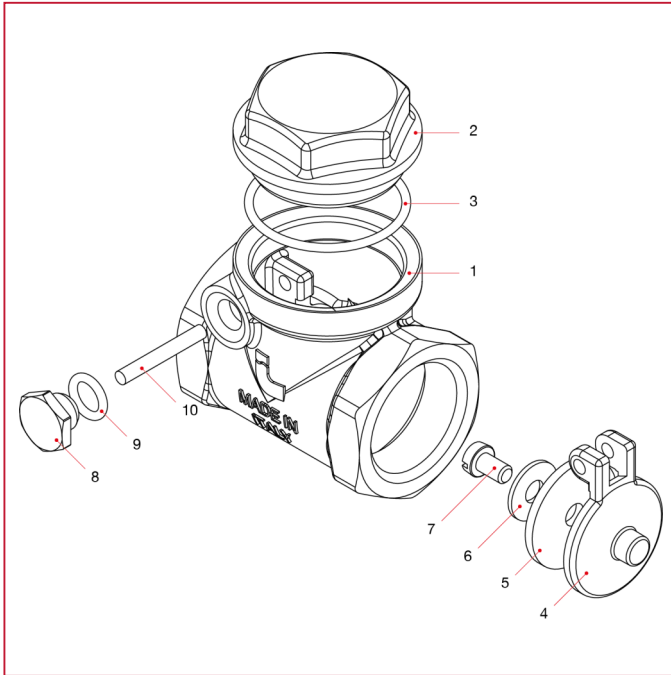


POS.	DESCRIPTION	N.	MATERIAL
1	Body	1	Brass CW617N
2	End adapter	1	Brass CW617N
3	O-ring	1	NBR
4	Plate	1	Brass CW617N
5	Arm	1	Brass CW617N
6	Nut	1	Brass CW614N
7	Cap	1	Brass CW614N
8	O-ring	1	NBR
9	Pin	1	Brass CW614N



# SWING CHECK VALVE

## MATERIALS art.130G



POS.	DESCRIPTION	N.	MATERIAL
1	Body	1	Brass CW617N
2	End adapter	1	Brass CW617N
3	O-ring	1	NBR
4	Plate	1	Brass CW617N
5	Washer	1	NBR
6	Washer	1	Brass CW508L
7	Screw	1	Brass CW508L
8	Cap	1	Brass CW614N
9	O-ring	1	NBR
10	Pin	1	Brass CW614N