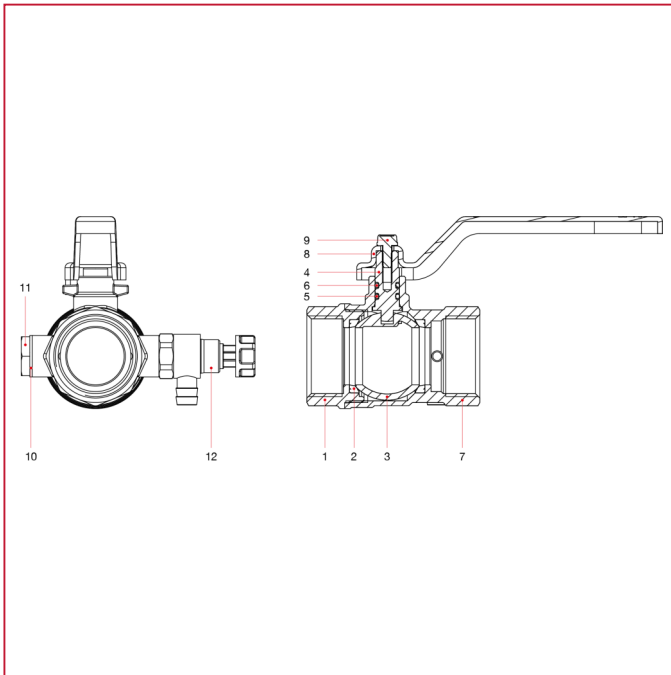




BALL VALVES

115 Standard flow ball valve with revolving drain cock

MATERIALS



POS.	DESCRIPTION	N.	MATERIAL
1	Female end adapter	1	Nickel-plated brass CW617N
2	Seat	2	P.T.F.E.
3	Ball	1	Chrome-plated brass CW617N
4	Stem	1	Brass CW614N
5	O-ring	1	NBR
6	O-ring	1	Viton®
7	Body	1	Nickel-plated brass CW617N
8	Lever handle	1	Varnished steel P04
9	Screw	1	Zinc-plated steel C4C
10	Washer	1	Aluminium
11	Plug	1	Nickel-plated brass CW614N
12	Adjustable drain valve	1	Nickel-plated brass CW614N