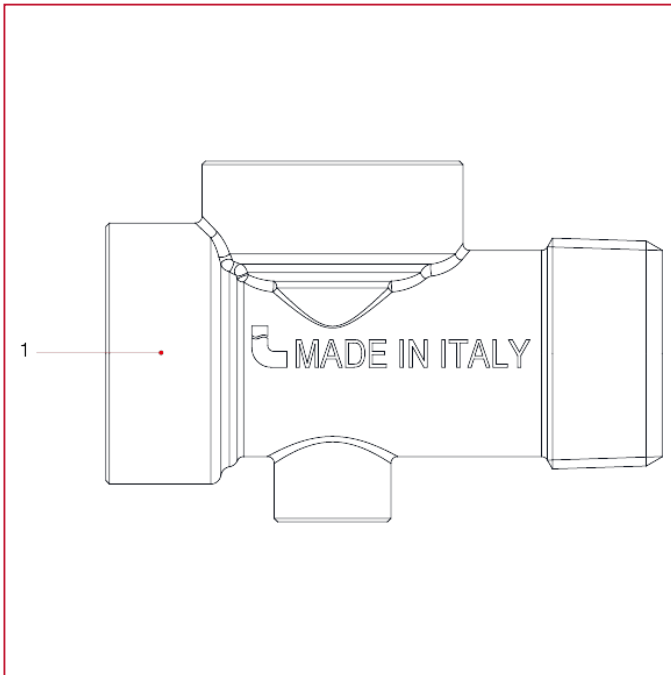




## MECHANICAL FITTINGS AND ACCESSORIES

### 110 5-way connector for pumps and tanks

#### MATERIALS



POS.	DESCRIPTION	N.	MATERIAL
1	Body	1	Brass CW617N