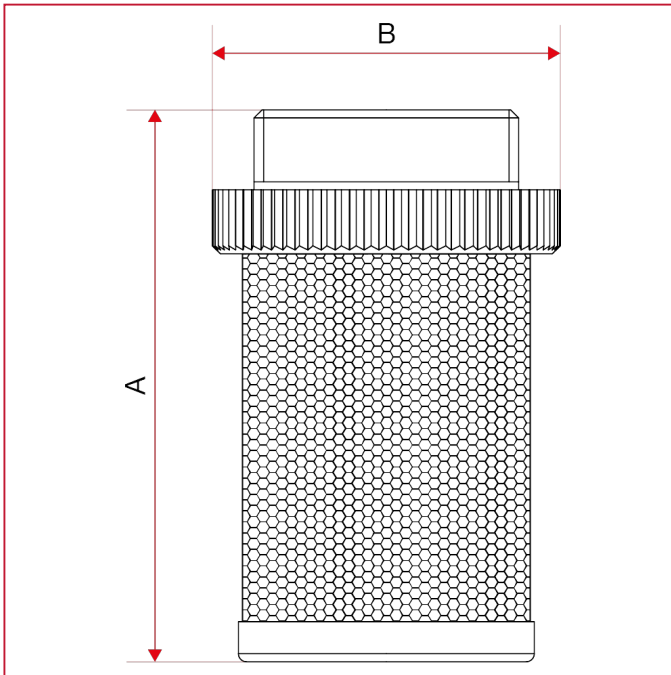




## STRAINERS FOR CHECK AND FOOT VALVES

### 102 Strainer for Europa<sup>®</sup>, York<sup>®</sup>, Block<sup>®</sup>, Roma<sup>®</sup> check valve

#### OVERALL DIMENSIONS



	3/8"	1/2"	3/4"	1"	1"1/4	1"1/2	2"	2"1/2	3"	4"
A	42	47	58	70	76	83	99,5	123	138	152,5
B	25,7	30	35,9	43,9	50,9	56,9	68,9	86	102	129