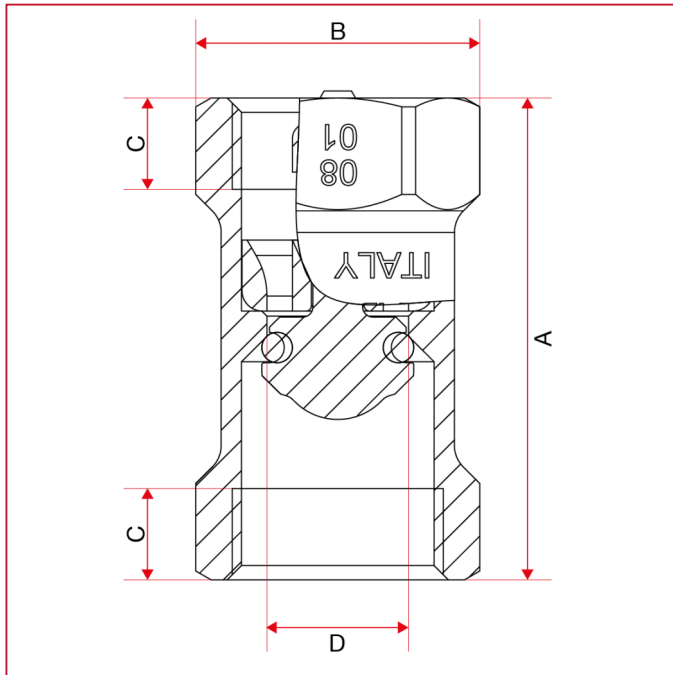




BLOCK[®] CHECK AND FOOT VALVES

101 BLOCK[®] check valve

OVERALL DIMENSIONS



	1/2"	3/4"	1"	1"1/4	1"1/2	2"
DN	15	20	25	32	40	50
A	47,5	53,5	60,5	66,5	74	80
B	28	35	40,5	50,4	57,8	70,5
C	9	10	10	12	13	15
D	14	18	22	28	33	44
Kg/cm ² bar	12	12	12	10	10	10
LBS - psi	174	174	174	145	145	145