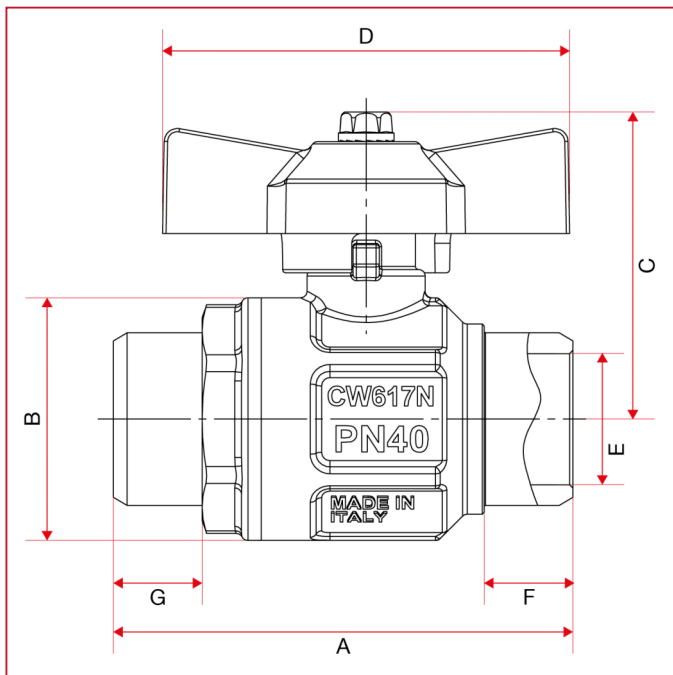




# FULL FLOW BALL VALVES: IDEAL

**099F** Ideal ball valve, full flow male/male thread

## OVERALL DIMENSIONS



	1/2"	3/4"	1"
DN	15	20	25
A	59,75	70	77,5
B	30,5	37	45,5
C	41	47	51
D	47	62	62
E	15	20	25
F	11,5	13,5	14,5
G	11,5	13,5	14,5
Kg/cm <sup>2</sup> bar	50	40	40
LBS - psi	725	580	580