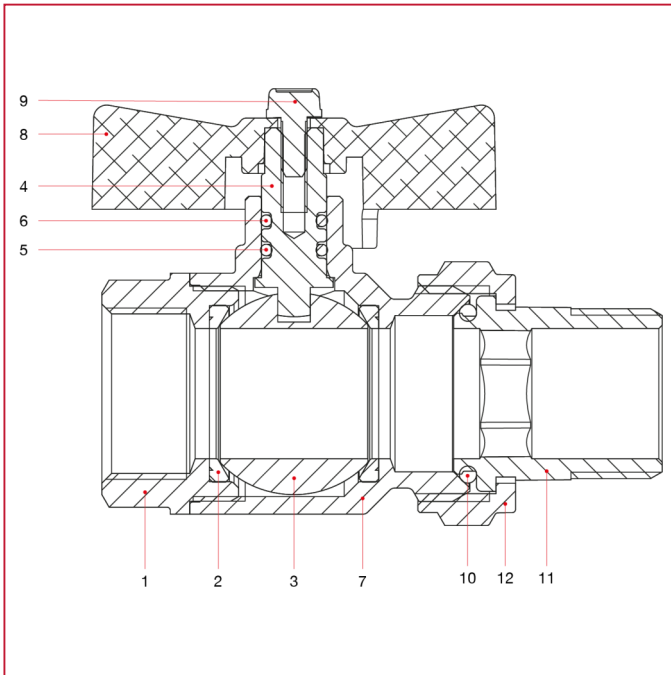




FULL FLOW BALL VALVES: IDEAL

098 Ideal ball valve, full flow for manifolds

MATERIALS sizes 1/2" through 1 1/4"

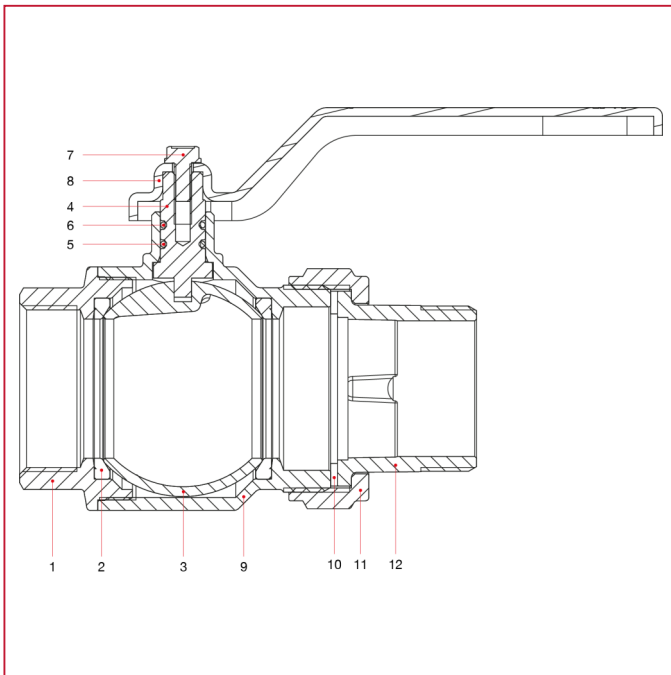


| POS. | DESCRIPTION | N. | MATERIAL |
|------|--------------------|----|----------------------------|
| 1 | Female end adapter | 1 | Nickel-plated brass CW617N |
| 2 | Seat | 2 | P.T.F.E. |
| 3 | Ball | 1 | Chrome-plated brass CW617N |
| 4 | Stem | 1 | Brass CW614N |
| 5 | O-ring | 1 | NBR |
| 6 | O-ring | 1 | Viton® |
| 7 | Body | 1 | Nickel-plated brass CW617N |
| 8 | T handle | 1 | Varnished aluminium |
| 9 | Screw | 1 | Zinc-plated steel C4C |
| 10 | O-ring | 1 | NBR |
| 11 | Union | 1 | Nickel-plated brass CW617N |
| 12 | Nut | 1 | Nickel-plated brass CW617N |



FULL FLOW BALL VALVES: IDEAL

MATERIALS sizes 1"1/2 through 2"



| POS. | DESCRIPTION | N. | MATERIAL |
|------|--------------------|----|----------------------------|
| 1 | Female end adapter | 1 | Nickel-plated brass CW617N |
| 2 | Seat | 2 | P.T.F.E. |
| 3 | Ball | 1 | Chrome-plated brass CW617N |
| 4 | Stem | 1 | Brass CW614N |
| 5 | O-ring | 1 | NBR |
| 6 | O-ring | 1 | Viton® |
| 7 | Screw | 1 | Zinc-plated steel C4C |
| 8 | Lever handle | 1 | Varnished steel P04 |
| 9 | Body | 1 | Nickel-plated brass CW617N |
| 10 | Flat seat washer | 1 | NBR |
| 11 | Nut | 1 | Nickel-plated brass CW617N |
| 12 | Union | 1 | Nickel-plated brass CW617N |