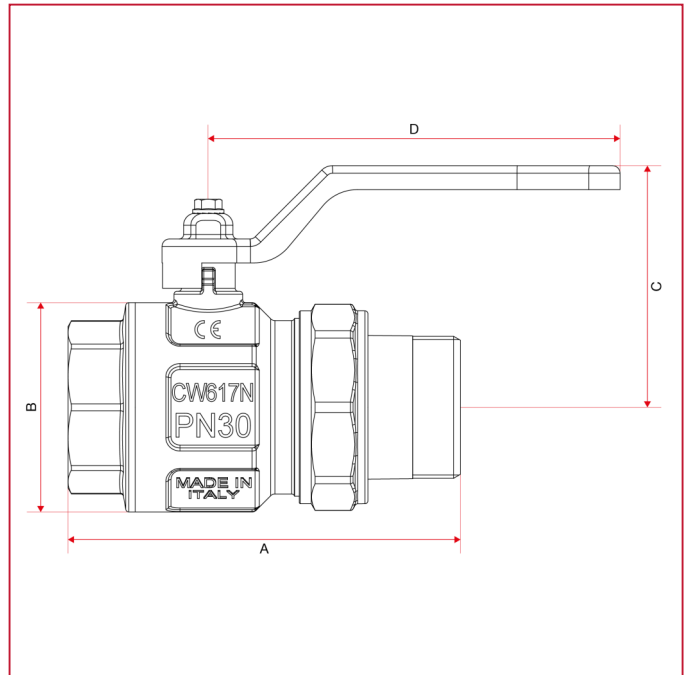
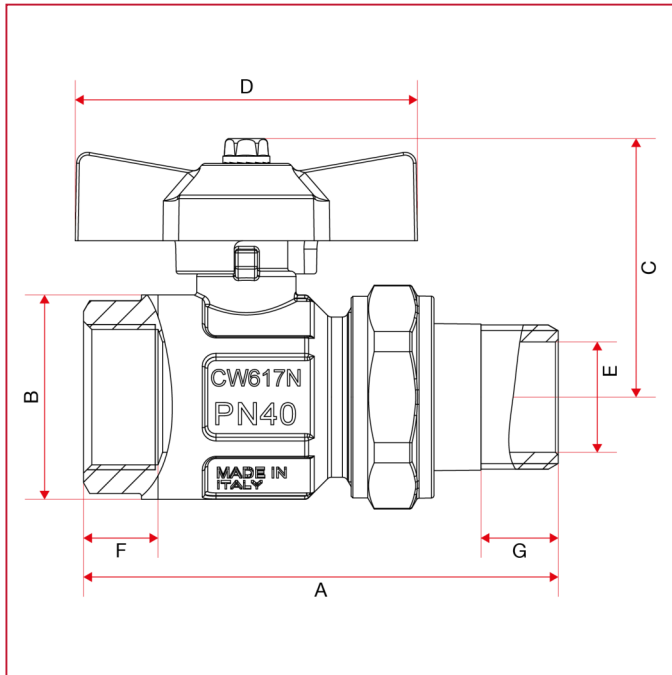




FULL FLOW BALL VALVES: IDEAL

098 Ideal ball valve, full flow for manifolds

OVERALL DIMENSIONS



	1/2"	3/4"	1"	1"1/4	1"1/2	2"
DN	15	20	25	32	40	50
A	74	86	99	115	131,5	150,5
B	30,5	37	45,5	57	70	84
C	41	47	50,8	63,5	81	96
D	47	62	62	70	138	157,8
E	15	20	25	32	39	50
F	12,5	13,5	15	16,5	17,5	20,5
G	12	14	16	17	16	17
Kg/cm2 bar	50	40	40	30	30	25
LBS - psi	725	580	580	435	435	362,5