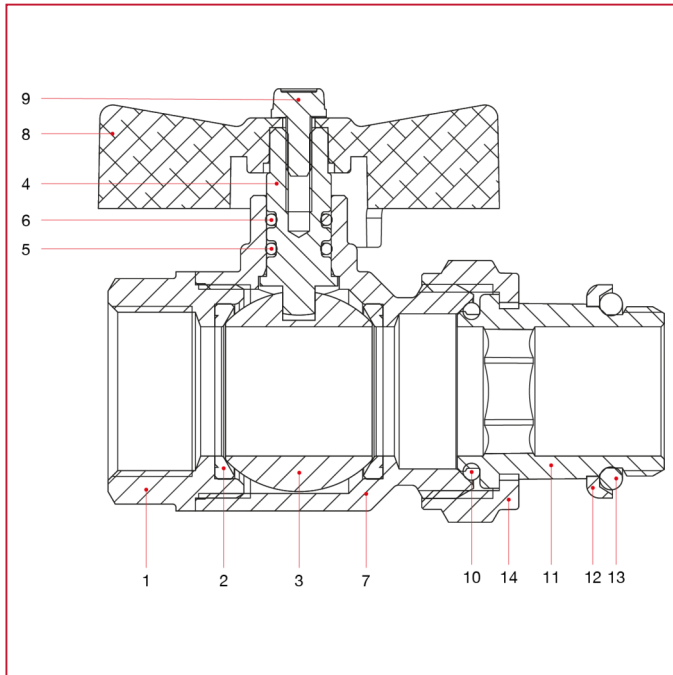




# FULL FLOW BALL VALVES: IDEAL

## 098S Ideal ball valve with o-ring, full flow for manifolds

### MATERIALS

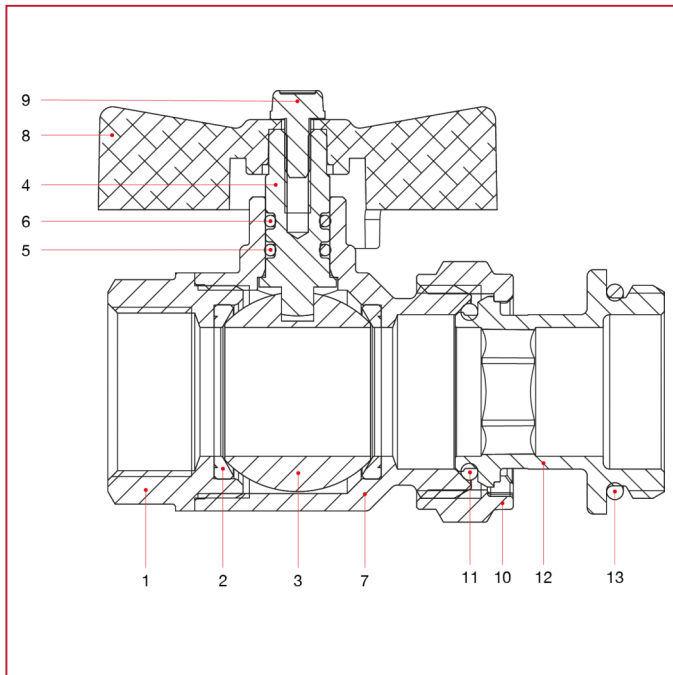


| POS. | DESCRIPTION        | N. | MATERIAL                   |
|------|--------------------|----|----------------------------|
| 1    | Female end adapter | 1  | Nickel-plated brass CW617N |
| 2    | Seat               | 2  | P.T.F.E.                   |
| 3    | Ball               | 1  | Chrome-plated brass CW617N |
| 4    | Stem               | 1  | Brass CW614N               |
| 5    | O-ring             | 1  | NBR                        |
| 6    | O-ring             | 1  | Viton®                     |
| 7    | Body               | 1  | Nickel-plated brass CW617N |
| 8    | T handle           | 1  | Varnished aluminium        |
| 9    | Screw              | 1  | Zinc-plated steel C4C      |
| 10   | O-ring             | 1  | NBR                        |
| 11   | Union              | 1  | Nickel-plated brass CW617N |
| 12   | Ring               | 1  | Steel                      |
| 13   | O-ring             | 1  | NBR                        |
| 14   | Nut                | 1  | Nickel-plated brass CW617N |



# FULL FLOW BALL VALVES: IDEAL

## MATERIALS 3/4"x1"



| POS. | DESCRIPTION        | N. | MATERIAL                   |
|------|--------------------|----|----------------------------|
| 1    | Female end adapter | 1  | Nickel-plated brass CW617N |
| 2    | Seat               | 2  | P.T.F.E.                   |
| 3    | Ball               | 1  | Chrome-plated brass CW617N |
| 4    | Stem               | 1  | Brass CW614N               |
| 5    | O-ring             | 1  | NBR                        |
| 6    | O-ring             | 1  | Viton®                     |
| 7    | Body               | 1  | Nickel-plated brass CW617N |
| 8    | T handle           | 1  | Varnished aluminium        |
| 9    | Screw              | 1  | Zinc-plated steel C4C      |
| 10   | Nut                | 1  | Nickel-plated brass CW617N |
| 11   | O-ring             | 1  | NBR                        |
| 12   | Union              | 1  | Nickel-plated brass CW617N |
| 13   | O-ring             | 1  | EPDM                       |