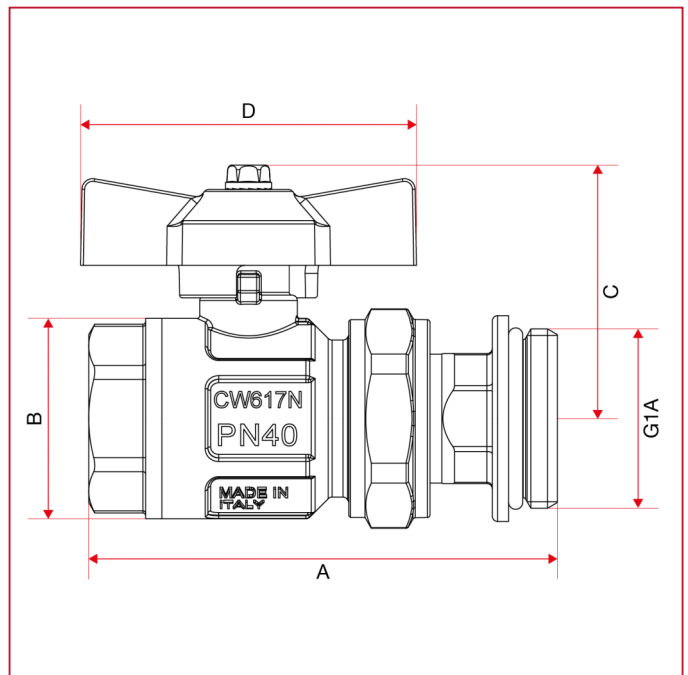
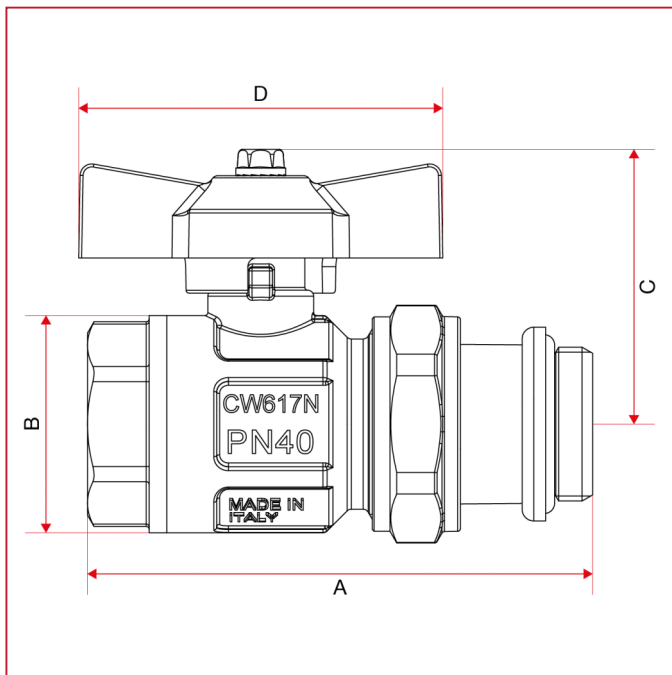




# FULL FLOW BALL VALVES: IDEAL

**098S** Ideal ball valve with o-ring, full flow for manifolds

## OVERALL DIMENSIONS



	1/2"	3/4"	3/4"X1"	1"	1"1/4"
DN	15	20	20	25	32
A	74	86	86,5	98	113
B	30,5	37	37	45,5	57
C	41	47	47	50,8	63,5
D	47	62	62	62	70
Kg/cm2 bar	50	40	40	40	30
LBS - psi	725	580	580	580	435