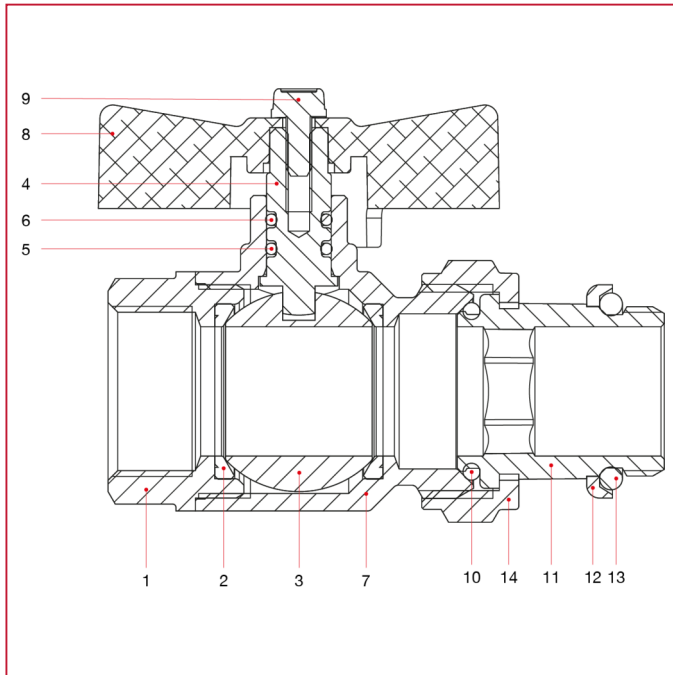




ACCESSORIES FOR MANIFOLDS

098SK Straight ball valves kit

MATERIALS

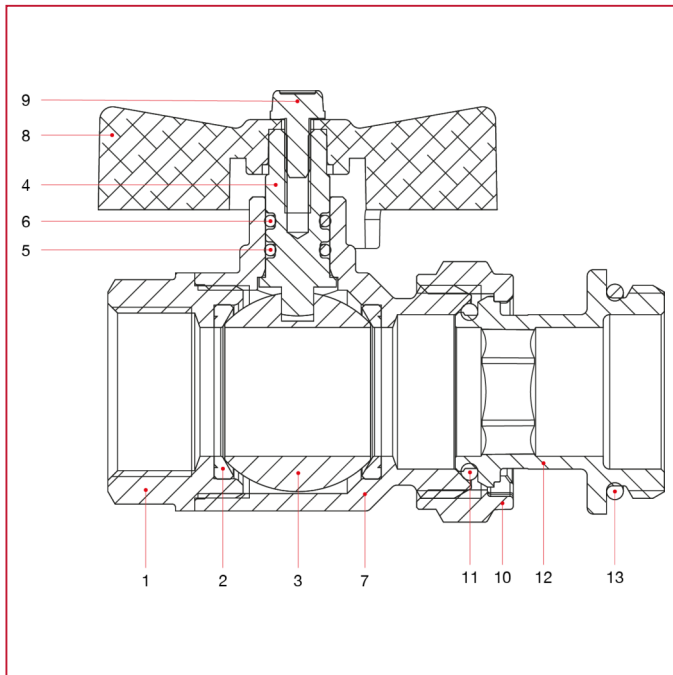


| POS. | DESCRIPTION | N. | MATERIAL |
|------|--------------------|----|----------------------------|
| 1 | Female end adapter | 1 | Nickel-plated brass CW617N |
| 2 | Seat | 2 | P.T.F.E. |
| 3 | Ball | 1 | Chrome-plated brass CW617N |
| 4 | Stem | 1 | Brass CW614N |
| 5 | O-ring | 1 | NBR |
| 6 | O-ring | 1 | Viton® |
| 7 | Body | 1 | Nickel-plated brass CW617N |
| 8 | T handle | 1 | Varnished aluminium |
| 9 | Screw | 1 | Zinc-plated steel C4C |
| 10 | O-ring | 1 | NBR |
| 11 | Union | 1 | Nickel-plated brass CW617N |
| 12 | Ring | 1 | Steel |
| 13 | O-ring | 1 | NBR |
| 14 | Nut | 1 | Nickel-plated brass CW617N |



ACCESSORIES FOR MANIFOLDS

MATERIALS 3/4"x1"



| POS. | DESCRIPTION | N. | MATERIAL |
|------|--------------------|----|----------------------------|
| 1 | Female end adapter | 1 | Nickel-plated brass CW617N |
| 2 | Seat | 2 | P.T.F.E. |
| 3 | Ball | 1 | Chrome-plated brass CW617N |
| 4 | Stem | 1 | Brass CW614N |
| 5 | O-ring | 1 | NBR |
| 6 | O-ring | 1 | Viton® |
| 7 | Body | 1 | Nickel-plated brass CW617N |
| 8 | T handle | 1 | Varnished aluminium |
| 9 | Screw | 1 | Zinc-plated steel C4C |
| 10 | Nut | 1 | Nickel-plated brass CW617N |
| 11 | O-ring | 1 | NBR |
| 12 | Union | 1 | Nickel-plated brass CW617N |
| 13 | O-ring | 1 | EPDM |