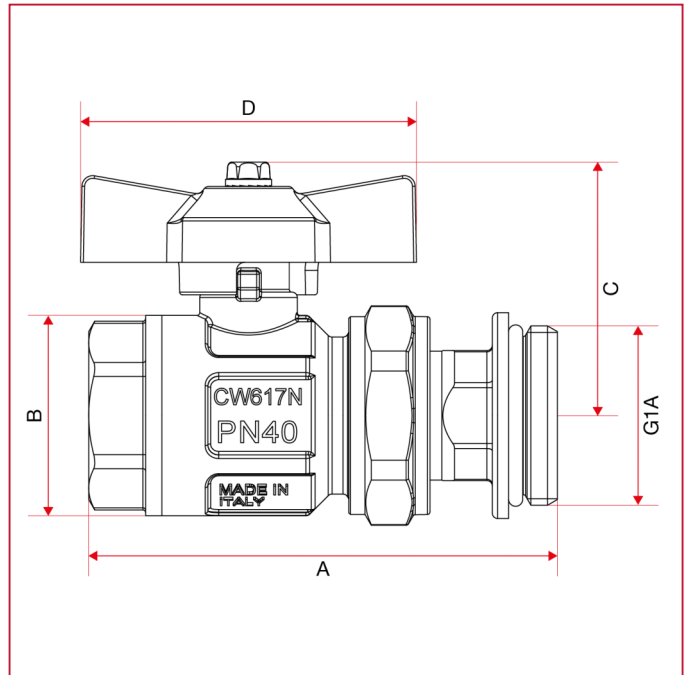
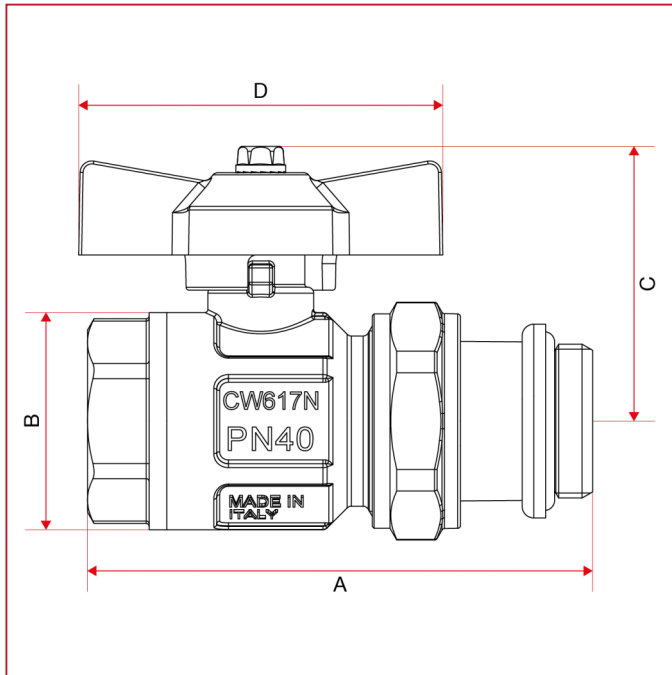




# ACCESSORIES FOR MANIFOLDS

## 098SK Straight ball valves kit

### OVERALL DIMENSIONS



	3/4"X1"	1"
DN	20	25
A	86,5	98
B	37	45,5
C	47	50,8
D	62	62
Kg/cm2 bar	40	40
LBS - psi	580	580