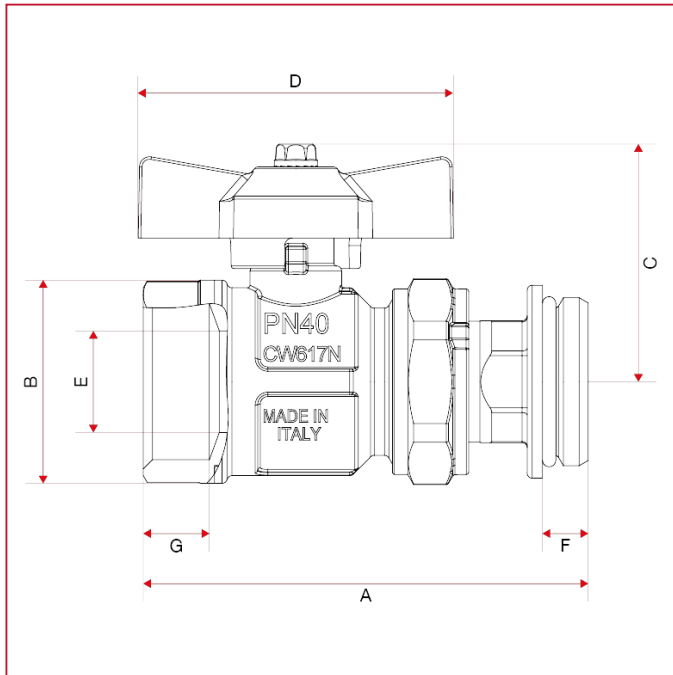




ACCESSORIES FOR MANIFOLDS

098RSK Straight ball valves kit – Compact

OVERALL DIMENSIONS



	1"
DN	25
A	87,5
B	40
C	47
D	62
E	20
F	9
G	13
Kg/cm ² bar	40
LBS - psi	580