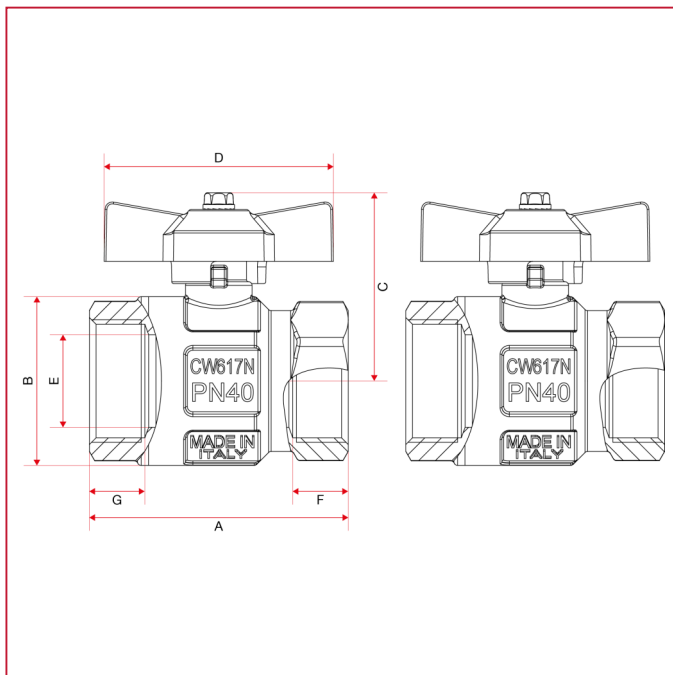




SET POINT REGULATING UNIT

092K Ball valves kit

OVERALL DIMENSIONS



	1"
DN	25
A	70
B	45,5
C	51
D	62
E	25
F	15
G	15
Kg/cm2 bar	40
LBS - psi	580