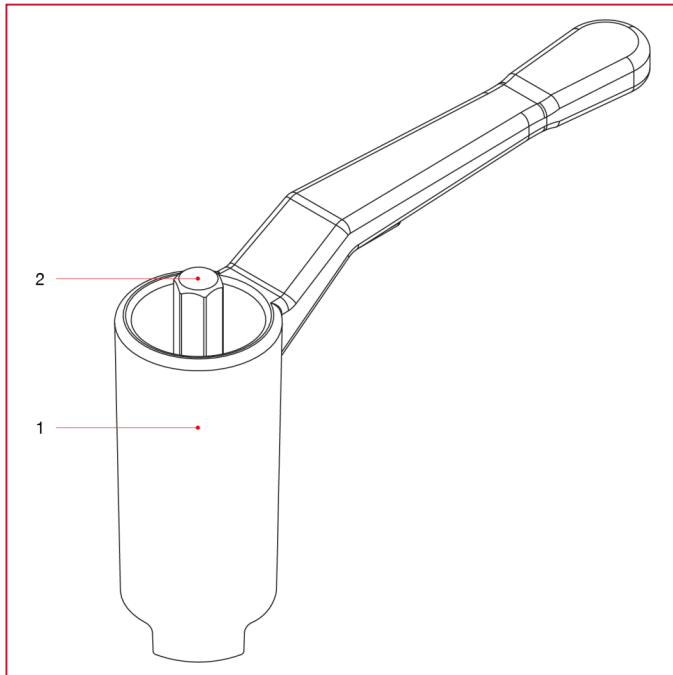




HANDLES FOR BALL VALVES

088 Extended handle for lined piping

MATERIALS



POS.	DESCRIPTION	N.	MATERIAL
1	Extended handle	1	Varnished aluminium
2	Screw	1	Zinc-plated steel AVpb