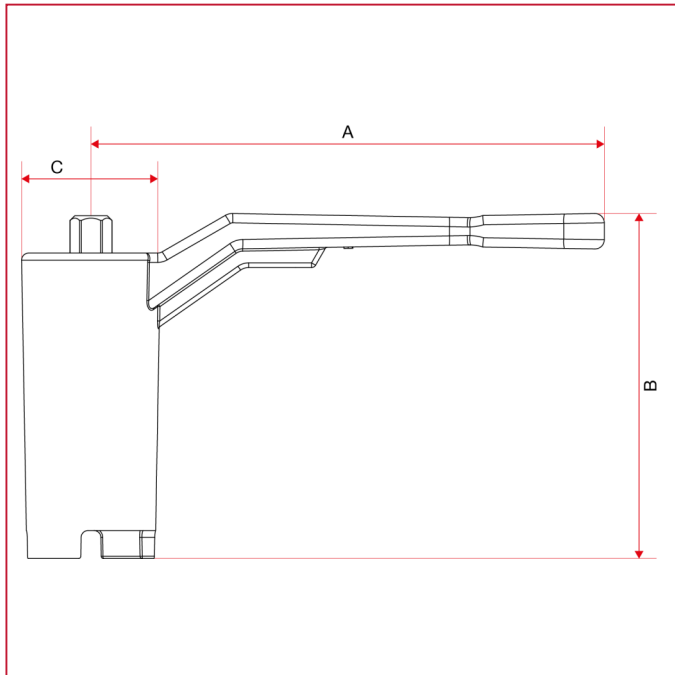




HANDLES FOR BALL VALVES

088 Extended handle for lined piping

OVERALL DIMENSIONS



	1	2	3	4	5	6	7
A	80	88,5	110	138	158	197	250
B	60	68	74	77,6	81,7	88	119,5
C	23,63	27,32	29,73	35,2	41,17	51,71	61,42